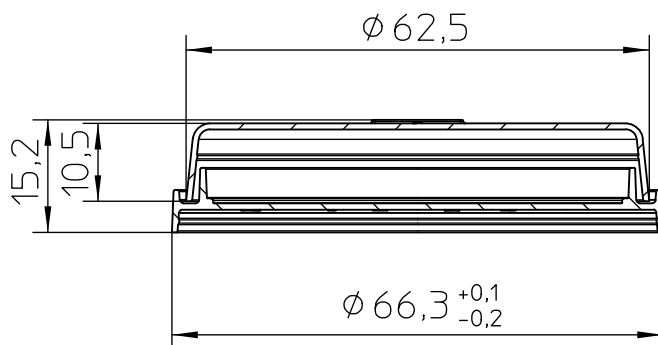
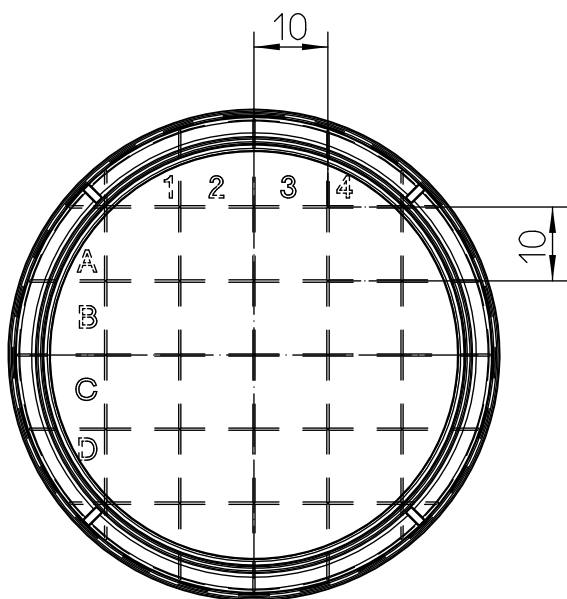
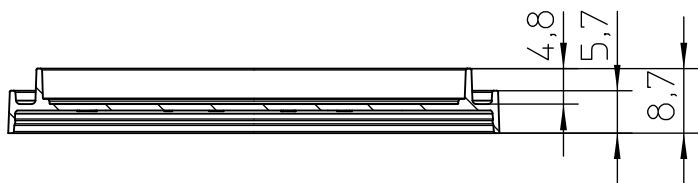


Valid for Item-No.: 629180, 629186



Only layout change, no design change of the product.
Prior drawing No. AC-6291xx/ Rev 02/ January 05, 2008

"All dimensions in mm"

Customer drawing subject to change without notice!

Uncontrolled Copy

Prior Issue	Drawn	Approved	Released	CONFIDENTIAL: Information contained in this document or drawing is confidential and proprietary to Greiner Bio-One GmbH. This document may not be reproduced for any reason without written permission from Greiner Bio-One GmbH. All rights of design, invention, and copyright are reserved.
Revision	Date 2011/05/20	Date 2011/05/20	Date 2011/05/20	
Date	Name falter	Name falter	Name sonntag	