	Document Number	Revision	Page	Date
	MCT001	A0	1 of 1	10-20-2013
PRODUCT DATA SHEET		Microcentrifuge Tubes with Cap, Polypropylene		

1: Material:

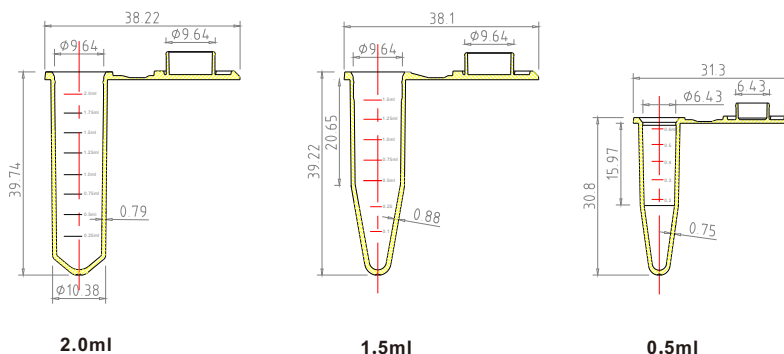
Tube: PP (Polypropylene)

2: Related Catalog Numbers:

VWR EU EAN. No.	VWR NA Cat. No.	Capacity (ml)	Maximum RCF	Tube Color	Tube Shape	Sterilization	Packaging Configuration
	10026-086	0.5ml	25,000g	Blue	Conical-Bottom	No	1000/PK,10000/CS
	10025-714	0.5ml	25,000g	Green	Conical-Bottom	No	1000/PK,10000/CS
	10025-716	0.5ml	25,000g	Natural	Conical-Bottom	No	1000/PK,10000/CS
	10025-718	0.5ml	25,000g	Natural	Conical-Bottom	No	500/PK,5000/CS
	10025-720	1.5ml	25,000g	Blue	Conical-Bottom	No	500/PK,5000/CS
	10025-722	1.5ml	25,000g	Green	Conical-Bottom	No	500/PK,5000/CS
	10025-724	1.5ml	25,000g	Natural	Conical-Bottom	No	500/PK,5000/CS
	10025-726	1.5ml	25,000g	Natural	Conical-Bottom	Yes	500/PK,5000/CS
	10025-728	1.5ml	25,000g	Natural	Conical-Bottom	No	250/PK,2500/CS
	10025-730	1.5ml	25,000g	Blue	Conical-Bottom	No	250/PK,2500/CS
	10025-732	1.5ml	25,000g	Green	Conical-Bottom	No	250/PK,2500/CS
	10025-734	2.0ml	25,000g	Blue	Conical-Bottom	No	400/PK,4000/CS
	10025-736	2.0ml	25,000g	Green	Conical-Bottom	No	400/PK,4000/CS
	10025-738	2.0ml	25,000g	Natural	Conical-Bottom	No	400/PK,4000/CS
	10025-740	2.0ml	25,000g	Natural	Conical-Bottom	No	500/PK,5000/CS



3: Dimensions (Unit:mm)



4: Features

- Made from high grade gamma resistance polypropylene
- Available with 3 volumes of 0.5, 1.5 and 2.0ml
- Engraved graduation ensure accuracy
- Flat and frost caps surface together with smooth and frosted body surface
- Provide easy and legible mark area
- Autoclavable at 121°C and freezable to -80°C
- Tubes can be centrifuged to 25,000g RCF
- DNase/RNase free and non-pyrogenic

5: STERILITY

- Sterilized by gamma irradiation SAL10⁻⁶ (ISO11137)

6: PRODUCT ISO 9000 CERTIFICATION

- Manufactured in a class 100,000 room environment.
- Manufactured under EN ISO13485 :2003 and ISO9001:2008 quality management system.

Drawn	Approved
Date 20 October 2013	Date 20 October 2013
Name Alex Fang	Name James

PRODUCT DATA SHEET

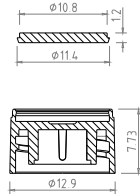
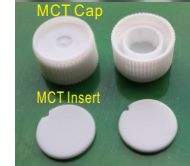
Screw Cap Microcentrifuge Tubes, Polypropyene

1: Material:

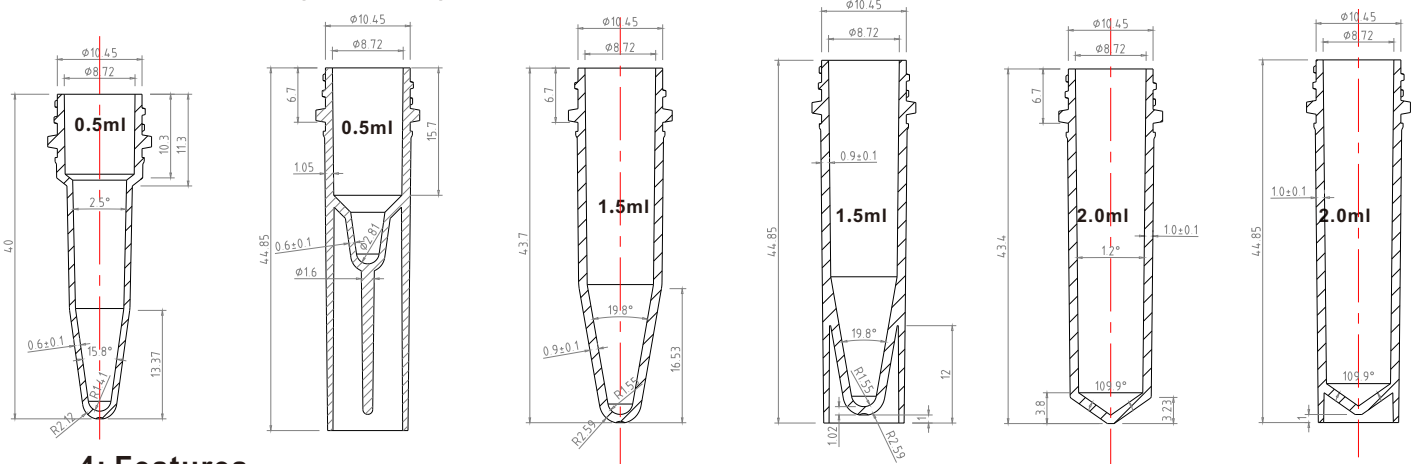
Tube: PP (Polypropyene) ,Screw Cap and Insert: PP (Polypropyene)

2: Related Catalog Numbers:

VWR EU EAN. No.	VWR NA Cat. No.	Capacity (ml)	Maximum RCF	Tube Color	Tube Shape	Sterilization	Packaging Configuration
525-0641	10025-742	0.5ml	20,000g	Clear	Conical-Bottom	No	500/PK,5000/CS
525-0642	10025-744	0.5ml	20,000g	Clear	Conical-Bottom	Yes	500/PK,5000/CS
525-0643	10026-096	0.5ml	20,000g	Clear	Freestanding	No	500/PK,5000/CS
525-0644	10026-098	0.5ml	20,000g	Clear	Freestanding	Yes	500/PK,5000/CS
525-0645	10026-100	1.5ml	20,000g	Clear	Conical-Bottom	No	500/PK,5000/CS
525-0646	10026-102	1.5ml	20,000g	Clear	Conical-Bottom	Yes	500/PK,5000/CS
525-0647	10025-746	1.5ml	20,000g	Clear	Freestanding	No	500/PK,5000/CS
525-0648	10025-748	1.5ml	20,000g	Clear	Freestanding	Yes	500/PK,5000/CS
525-0649	10025-750	2.0ml	20,000g	Clear	Conical-Bottom	No	500/PK,5000/CS
525-0650	10025-752	2.0ml	20,000g	Clear	Conical-Bottom	Yes	500/PK,5000/CS
525-0651	10025-754	2.0ml	20,000g	Clear	Freestanding	No	500/PK,5000/CS
525-0652	10025-756	2.0ml	20,000g	Clear	Freestanding	Yes	500/PK,5000/CS
525-0653	10025-758	MCT Cap		Natural		No	500/PK,5000/CS
525-0654	10025-760	MCT Cap		White		No	500/PK,5000/CS
525-0655	10025-762	MCT Cap		Blue		No	500/PK,5000/CS
525-0656	10025-764	MCT Cap		Green		No	500/PK,5000/CS
525-0657	10025-766	MCT Insert		White		No	500/PK,5000/CS
525-0658	10025-768	MCT Insert		Blue		No	500/PK,5000/CS
525-0659	10025-770	MCT Insert		Green		No	500/PK,5000/CS



3:Dimensions (Unit:mm)



4: Features

- Made from high grade gamma resistance polypropylene
- Available with 3 volumes of 0.5, 1.5 and 2.0ml
- Caps accept color coded inserts, and easily write on the forested side of insert
- O-rings are made from silicone to insure a leakproof seal
- 1.5ml, 2.0ml MCT provide easy and legible forested area
- Autoclavable at 121°C and freezable to -80°C, and excellent for frozen storage
- Tubes can be centrifuged to 20,000g RCF
- DNase/RNase free and non-pyrogenic

5: STERILITY

- Sterilized by gamma irradiation SAL10⁻⁶ (ISO11137)

6: PRODUCT ISO 9000 CERTIFICATION

- Manufactured in a class 100,000 room environment.
- Manufactured under EN ISO13485 :2003 and ISO9001:2008 quality management system.

Drawn	Approved
Date 20 October 2013	Date 20 October 2013
Name Alex Fang	Name James