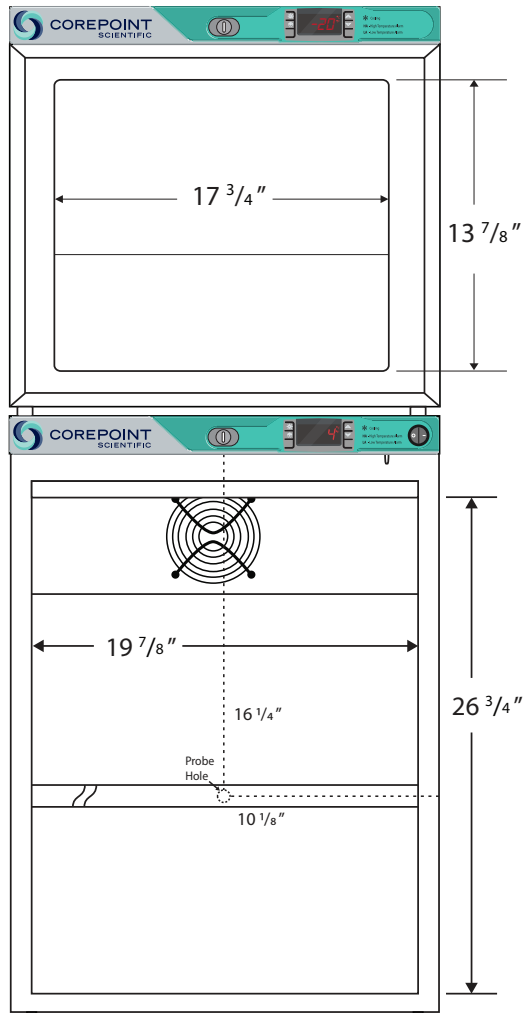
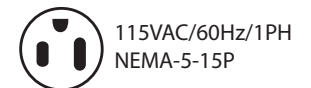
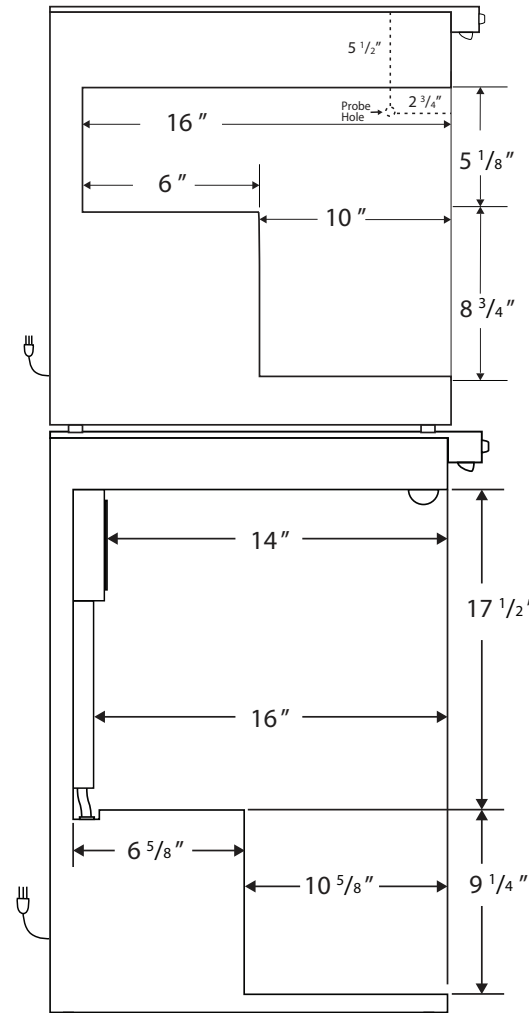


Front View



Side View



Compartment	Cu. Ft	Defrost	Door	Int Door	Shelves	Interior Dim.			Refrigerant	H.P.	Amps	Weight
						W"	D"	H"				
Freezer Refrigerator	1.7	Manual Cycle	1 Solid 1 Solid	0 0	2 Adj 3 Adj	17 3/4	16	13 7/8	R600a	1/8	1	135 lbs.
	5.2					19 7/8	16	26 3/4		1/6	1.3	

Note: Interior dimensions are estimates and subject to change without notice