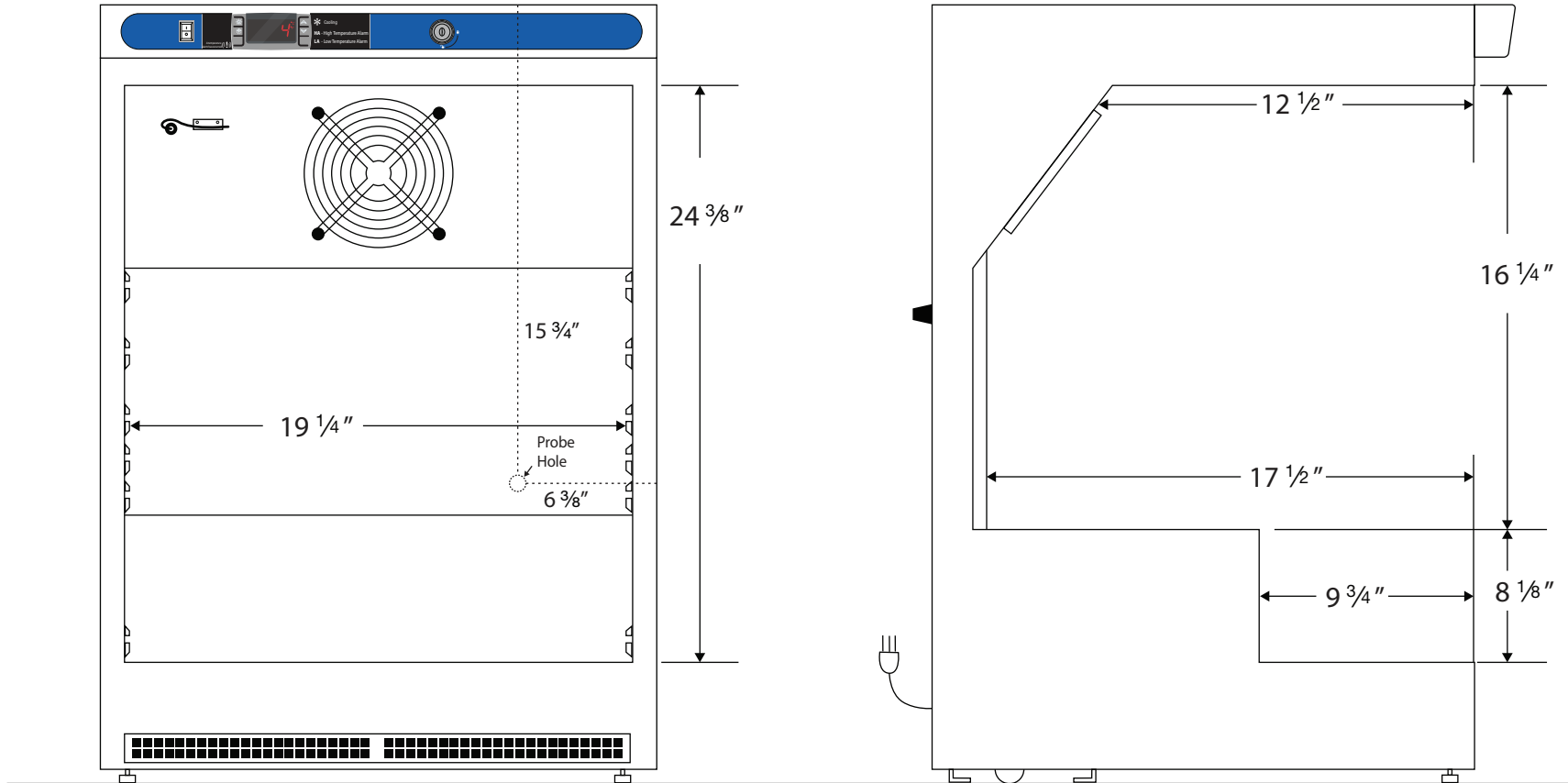


Interior

Front View

Side View


Cat# 76422-930/HCUCBI0404SAD

 115VAC/60Hz/1PH
NEMA-5-15P

Cu.Ft.	Defrost	Door	Int Door	Shelves	Interior Dimensions			Refrigerant	H.P.	Amps	Weight
					W"	D"	H"				
4.6	Cycle	1 Solid	0	2 Adj/1 Fixed	$19 \frac{1}{4}$	$17 \frac{1}{2}$	$24 \frac{3}{8}$	R600a	$\frac{1}{8}$	1.74	97 lbs.

Note: Interior dimensions are estimates and subject to change without notice