

# Technical data sheet

## Description

Conductive robotic tips – Alternatives for Hamilton® instruments (Type: HT)



## Features

- Manufactured under cleanroom conditions (cleanroom class 8, DIN EN ISO 14644)
- Free of DNA, DNase, RNase and PCR inhibitors
- State of the art quality control
- Ideal for high-throughput analysis
- Barcoded trays for automated identification
- Research Use Only (RUO)

## Conductive robotic tips – Alternatives for Hamilton® instruments (Type: HT)

VWR Catalog Number	Volume	Sterile	Filter	Tip colour	Tray colour	Packed	Pk
<b>49010-0003</b>	50 µL	-	-	Black	Clear	12 x 5 racks, 96 each, blistered	5760
<b>49010-0105</b>	50 µL	-	+	Black	Clear	12 x 5 racks, 96 each, blistered	5760
<b>49008-0003</b>	300 µL	-	-	Black	Clear	12 x 5 racks, 96 each, blistered	5760
<b>49008-0105</b>	300 µL	-	+	Black	Clear	12 x 5 racks, 96 each, blistered	5760
<b>49009-0005</b>	1000 µL	-	-	Black	Clear	8 x 5 racks, 96 each, blistered	3840
<b>49009-0105</b>	1000 µL	-	+	Black	Clear	8 x 5 racks, 96 each, blistered	3840

## Material

Tip: PP

Filter: PE

Tray: PP

## Technical drawing and measurements

VWR Catalog Number	Tip dimensions			Tray dimensions	
	Tip length (mm)	Concentricity (mm)	Filter depth (mm)	Length (mm)	Width (mm)
<b>49010-0003</b>	50.4	1.2	NA	122.0	82.6
<b>49010-0105</b>	50.4	1.2	10.8	122.0	82.6
<b>49008-0003</b>	59.9	1.6	NA	122.0	82.6
<b>49008-0105</b>	59.9	1.6	9.0	122.0	82.6
<b>49009-0005</b>	95.1	1.5	NA	122.0	82.6
<b>49009-0105</b>	95.1	1.5	9.0	122.0	82.6

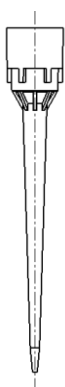


Figure 1: Type HT 50 µL tip

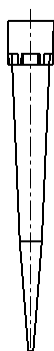


Figure 2: Type HT 300 µL tip



Figure 3 Type: HT 1000 µL tip

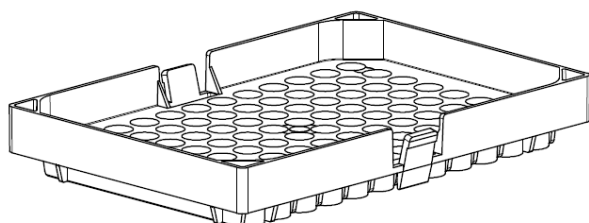


Figure 4: Type HT tray

**Description**

Conductive robotic tips – Alternatives for Roche MagNA pure instruments (Type: MP)


**Features**

- Manufactured under cleanroom conditions (cleanroom class 8, DIN EN ISO 14644)
- Free of DNA, DNase, RNase and PCR inhibitors
- State of the art quality control
- Barcoded trays for automated identification
- Ideal for high-throughput analysis
- Research Use Only (RUO)

**Conductive robotic tips – Alternatives for Roche MagNA pure instruments (Type: MP)**

VWR Catalog Number	Volume	Sterile	Filter	Tip colour	Tray colour	Packed	Pk
<b>49209-0105</b>	1000 µL	-	+	Black	Clear	8 × 5 racks, 96 each, blistered	3840

**Material**

Tip: PP

Filter: PE

Tray: PP

**Technical drawing and measurements**

VWR Catalog Number	Tip dimensions			Tray dimensions	
	Tip length (mm)	Concentricity (mm)	Filter depth (mm)	Length (mm)	Width (mm)
<b>49209-0105</b>	95.1	1.5	9.0	122.0	82.6



Figure 5: Type MP 1000 µL tip

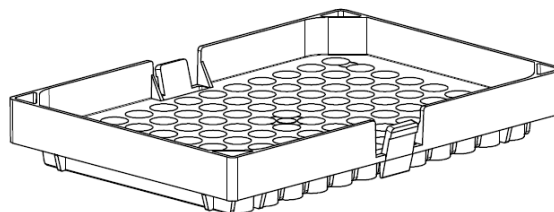


Figure 6: Type MP tray

**Description**

Conductive robotic tips – Alternatives for Tecan™ instruments (Type: TE)


**Features**

- Manufactured under cleanroom conditions (cleanroom class 8, DIN EN ISO 14644)
- Free of DNA, DNase, RNase and PCR inhibitors (Blistered tips)
- State of the art quality control
- Ideal for high-throughput analysis
- Made of pure polypropylene
- Research Use Only (RUO)

**Conductive robotic tips – Alternatives for Tecan™ instruments (Type: TE)**

VWR Catalog Number	Volume	Sterile	Filter	Tip colour	Tray colour	Packed	Pk
<b>49006-0000</b>	50 µL	-	-	Black	Yellow	18 × 10 racks, 96 each, cardboard, S-Tray	17280
<b>49006-0006</b>	50 µL	-	-	Black	Yellow	12 × 2 racks, 96 each, blistered, S-Tray	2304
<b>49006-0007</b>	50 µL	-	-	Black	Yellow	12 × 2 racks, 96 each, blistered, C-Tray	2304
<b>49006-0106</b>	50 µL	-	+	Black	Yellow	12 × 2 racks, 96 each, blistered, S-Tray	2304
<b>49006-0107</b>	50 µL	-	+	Black	Yellow	12 × 2 racks, 96 each, blistered, C-Tray	2304
<b>49002-0000</b>	200 µL	-	-	Black	Blue	18 × 10 racks, 96 each, cardboard, S-Tray	17280
<b>49002-0006</b>	200 µL	-	-	Black	Blue	12 × 2 racks, 96 each, blistered, S-Tray	2304
<b>49002-0007</b>	200 µL	-	-	Black	Blue	12 × 2 racks, 96 each, blistered, C-Tray	2304
<b>49002-0106</b>	200 µL	-	+	Black	Blue	12 × 2 racks, 96 each, blistered, S-Tray	2304
<b>49002-0107</b>	200 µL	-	+	Black	Blue	12 × 2 racks, 96 each, blistered, C-Tray	2304
<b>49003-0000</b>	1000 µL	-	-	Black	Red	10 × 10 racks, 96 each, cardboard, S-Tray	9600
<b>49003-0006</b>	1000 µL	-	-	Black	Red	12 × 2 racks, 96 each, blistered, S-Tray	2304
<b>49003-0007</b>	1000 µL	-	-	Black	Red	12 × 2 racks, 96 each, blistered, C-Tray	2304
<b>49003-0106</b>	1000 µL	-	+	Black	Red	12 × 2 racks, 96 each, blistered, S-Tray	2304
<b>49003-0107</b>	1000 µL	-	+	Black	Red	12 × 2 racks, 96 each, blistered, C-Tray	2304

## Material

Tip:	PP
Filter:	PE
Tray:	PC 49006-0000 - 49006-0006 - 49006-0106 - 49002-0000 - 49002-0006 - 49002-0106 - 49003-0000 - 49003-0006 - 49003-0106
	PP 49006-0007 - 49006-0107 - 49002-0007 - 49002-0107 - 49003-0007 - 49003-0107

## Technical drawing and measurements

VWR Catalog Number	Tip dimensions			Tray dimensions	
	Tip length (mm)	Concentricity (mm)	Filter depth (mm)	Length (mm)	Width (mm)
<b>49006-0000</b>	58.0	1.2	NA	126.9	88.4
<b>49006-0006</b>	58.0	1.2	NA	126.9	88.4
<b>49006-0007</b>	58.0	1.2	NA	127.8	85.5
<b>49006-0106</b>	58.0	1.2	14.8	126.9	88.4
<b>49006-0107</b>	58.0	1.2	14.8	127.8	85.5
<b>49002-0000</b>	58.5	1.5	NA	126.9	88.4
<b>49002-0006</b>	58.5	1.5	NA	126.9	88.4
<b>49002-0007</b>	58.5	1.5	NA	127.8	85.5
<b>49002-0106</b>	58.5	1.5	14.8	126.9	88.4
<b>49002-0107</b>	58.5	1.5	14.8	127.8	85.5
<b>49003-0000</b>	96.1	2.0	NA	126.9	88.4
<b>49003-0006</b>	96.1	2.0	NA	126.9	88.4
<b>49003-0007</b>	96.1	2.0	NA	127.8	85.5
<b>49003-0106</b>	96.1	2.0	14.8	126.9	88.4
<b>49003-0107</b>	96.1	2.0	14.8	127.8	85.5

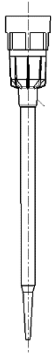


Figure 7: Type TE 50 µL tip

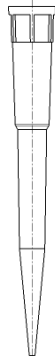


Figure 8: Type TE 200 µL tip



Figure 9: Type TE 1000 µL tip

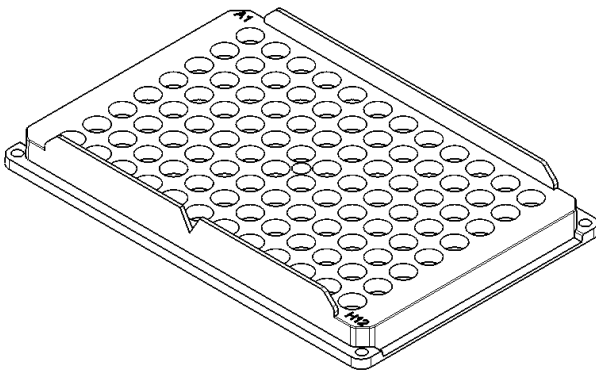


Figure 10: Type TE C-tray in PP

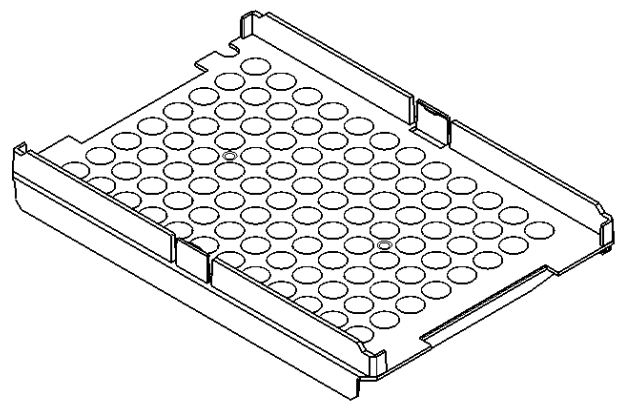


Figure 11: Type TE S-tray in PC

**Description**

Conductive robotic tips, wide bore - Alternatives for Tecan™ instruments (Type: TE)


**Features**

- Manufactured under cleanroom conditions (cleanroom class 8, DIN EN ISO 14644)
- Free of DNA, DNase, RNase and PCR inhibitors (Blistered tips)
- State of the art quality control
- Ideal for high-throughput analysis
- Made of pure polypropylene
- Research Use Only (RUO)

**Conductive robotic tips, wide bore - Alternatives for Tecan™ instruments (Type: TE)**

VWR Catalog Number	Volume	Sterile	Filter	Tip colour	Tray colour	Packed	Pk
<b>49033-0000</b>	1000 µL	-	-	Black	Red	10× 10 racks, 96 each, cardboard, S-Tray	9600
<b>49033-0006</b>	1000 µL	-	-	Black	Red	12 × 2 racks, 96 each, blistered, S-Tray	2304
<b>49033-0106</b>	1000 µL	-	+	Black	Red	12 × 2 racks, 96 each, blistered, S-Tray	2304

**Material**

Tip: PP

Filter: PE

Tray: PC

**Technical drawing and measurements**

VWR Catalog Number	Tip dimensions			Tray dimensions	
	Tip length (mm)	Concentricity (mm)	Filter depth (mm)	Length (mm)	Width (mm)
<b>49033-0000</b>	96.1	2.0	NA	126.9	88.4
<b>49033-0006</b>	96.1	2.0	NA	126.9	88.4
<b>49033-0106</b>	96.1	2.0	14.8	126.9	88.4



Figure 12: Type TE wide bore tip

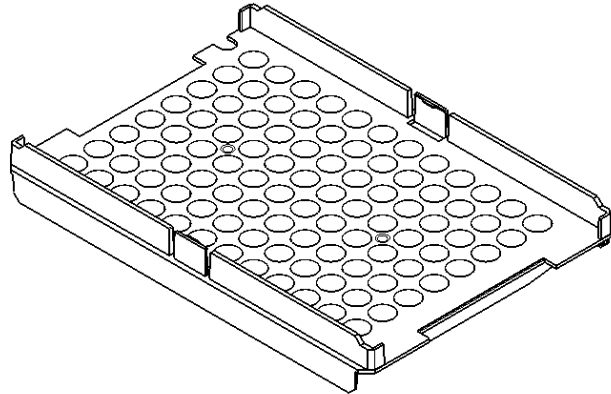


Figure 13: Type TE tray

TECANTM, HAMILTON® AND ROCHE MAGNA PURE INSTRUMENTS ARE REGISTERED TRADEMARKS/NAMES OF TECAN, HAMILTON AND F. HOFFMANN-LA ROCHE COMPANIES ("COMPANIES"). THERE IS NO SPONSORSHIP OR ENDORSEMENT OF THE TIPS BY EITHER OF THE COMPANIES.