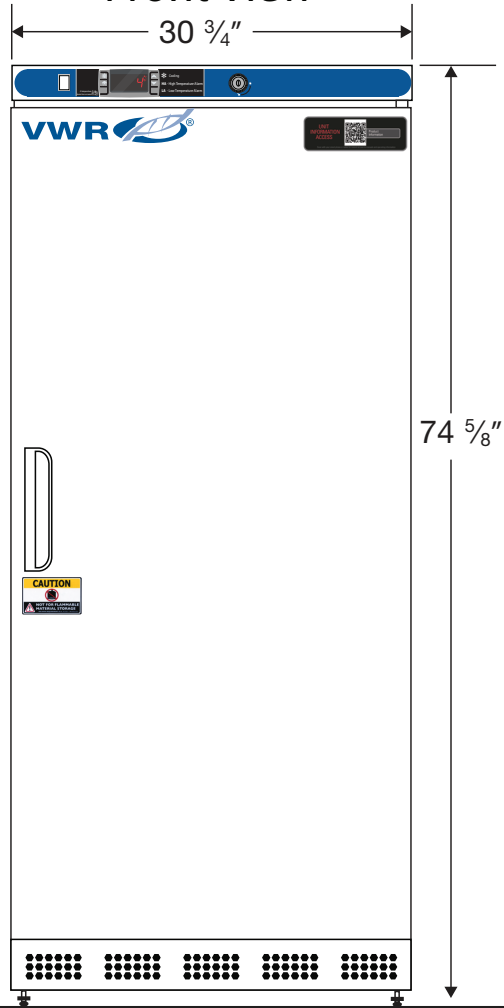


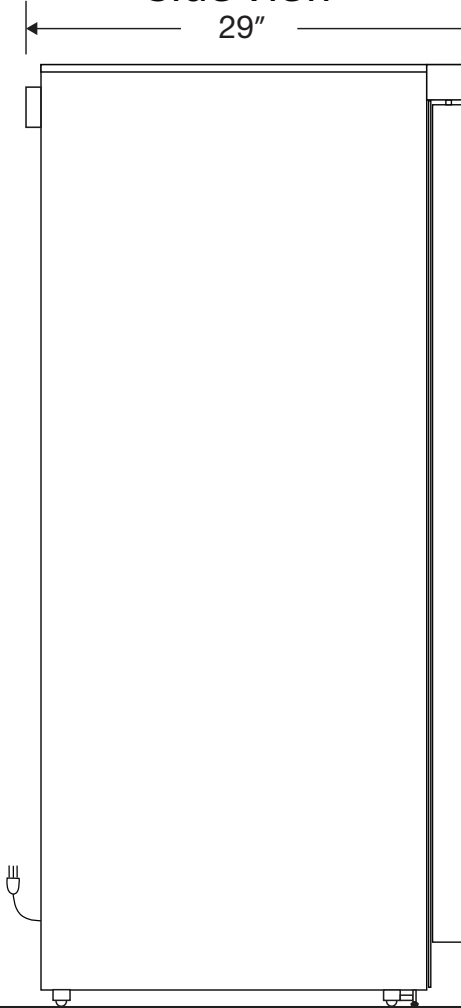
## Exterior



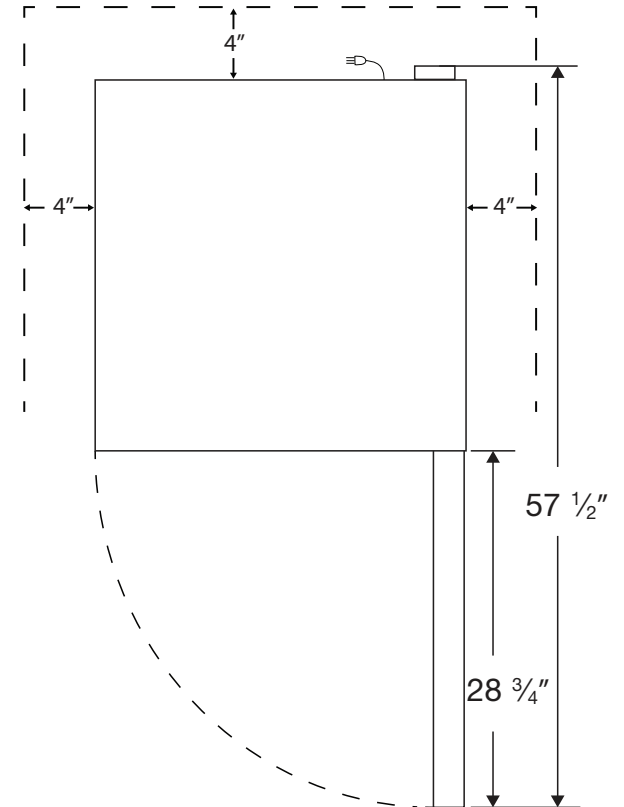
Front View



Side View



Top View



**NOTE: Ventilation Requirements – Minimum 4" clearance on sides and back**



115VAC/60Hz/1PH  
NEMA-5-15P

**Cat# 76580-190/VWR-HC-RFP-20**

Cu.Ft.	Defrost	Door	Int Door	Shelves	W"	D"	H"	Refrigerant	H.P.	Amps	Weight
20	Cycle	1 Solid	0	5 Adj.	30 3/4	29	74 5/8	R600a	1/4	3	230 lbs.