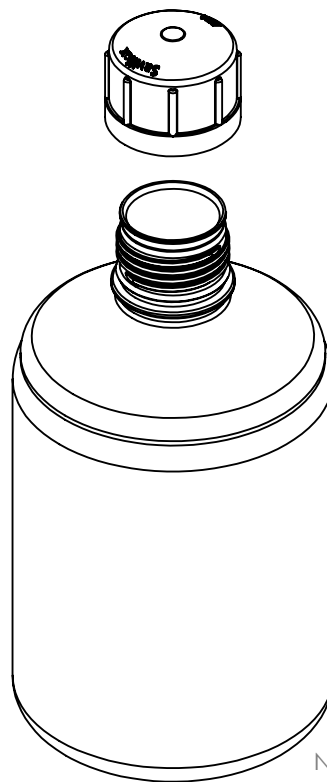
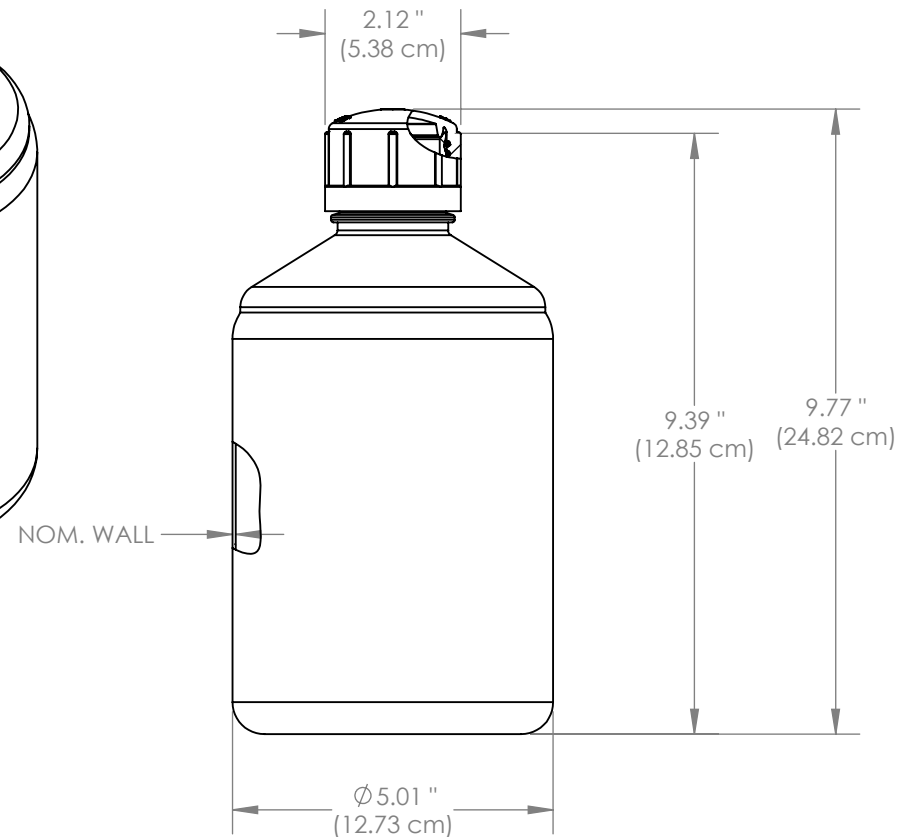


NOMINAL CAPACITY	2000 mL	67.6 oz.
OVERFLOW CAPACITY	2240 mL	75.7 oz.
MATERIALS	CAP	VIRGIN PFA CAS #26655-00-5
	BOTLE	VIRGIN PFA CAS #26655-00-5
THREAD	GL45	
NOMINAL WEIGHT	CAP	56 g 0.12 LBS.
	BOTTLE	381 g 0.84 LBS.
	TOTAL	437 g 0.96 LBS.
OPENING I.D.	1.46 "	3.71 cm
NOMINAL WALL	.050"	.13 cm
MANUFACTURING ENVIRONMENT	CLASS 10,000 (ISO 7)	
BOTTLE MARKINGS	SAVILLEX 2000 mL OTHER PFA 	
CAP MARKINGS	SAVILLEX PFA	
PACKAGING	INDIVIDUALLY CAPPED AND LDPE BAGGED	
LABEL ON PACKAGING	PART NUMBER: 150-01-2000 QTY: 1 MFG. LOT: _____	
CAP TORQUE	MINIMUM: HAND TIGHT RECOMMENDED: 35 IN-LB	
USP CLASS VI CERTIFIED	YES	
ADCF	CERTIFIED FREE OF ANIMAL DERIVED COMPONENTS	
AUTOCCLAVABLE: 121°C	YES	



Purillex



NOTES:

1. ALL DIMENSIONS ARE NOMINAL AND IN INCHES AND CENTIMETERS UNLESS OTHERWISE NOTED.
2. THIS IS NOT A PRODUCTION DRAWING BUT IS FOR INFORMATIONAL PURPOSES ONLY AND IS SUBJECT TO CHANGE WITHOUT NOTICE.

PROPRIETARY AND CONFIDENTIAL
THE INFORMATION CONTAINED IN THIS DRAWING IS THE SOLE PROPERTY OF SAVILLEX CORPORATION. ANY REPRODUCTION IN PART OR AS A WHOLE WITHOUT THE WRITTEN PERMISSION OF SAVILLEX CORPORATION IS PROHIBITED.

UNLESS OTHERWISE SPECIFIED:		NAME	DATE	 10321 West 70th St. Eden Prairie, MN 55344-3446 USA (952)935-4100
DIMENSIONS ARE IN INCHES TOLERANCES: FRACTIONAL ± 1/32" ANGULAR: ± .5 DEG. TWO PLACE DECIMAL ± .020" THREE PLACE DECIMAL ± .005"		DRAWN		
MATERIAL	--	ENG. APPR.		
FINISH	--	TOOL APPR.		
DO NOT SCALE DRAWING		MFG APPR.		
		Q.A.		
		COMMENTS:		
		PART NUMBER: 150-01-2000		
TITLE: 2000 mL, PFA BOTTLE SPECIFICATIONS				
SIZE A	DWG. NO. 300654-C	REV. C		
SCALE: 1:3	WEIGHT: LBS.	SHEET 2 OF 2		