

IntelliSense[®]

MULTI-SPEED BLOWERS



**vwr**[™]
part of avantor

order on VWR.COM



Protecting your
laboratory environment

LABCONCO[®]



Intelli-Sense™ Multi-Speed Blowers

Intelli-Sense™ Multi-Speed Blowers

- Energy savings
- Up to three speed operation
- One size fits most fume hood applications—simple to size, adjustable over time

Intelli-Sense Multi-Speed Blowers are weatherized, direct drive, non-explosion-proof blowers controlled by a two or three position switch. Each blower has a reliable electronically commutated motor (ECM), which consumes one third less energy and is easier and less expensive to maintain than belt-drive motors.

The biggest operating expense for many laboratories is the expense of heating and cooling the air that is exhausted out of the fume hood. Traditional AC belt-drive blowers typically offer two operating mode options, off and on. Since many facilities require that their fume hoods operate 24 hours a day, a hood with a traditional blower is exhausting large volumes of tempered air even though it is being used a small percentage of time. Expensive energy is being wasted.

Saves Energy. The Intelli-Sense Blower provides an economical alternative to traditional on/off blowers. Users may close the sash and turn the Intelli-Sense Blower switch to standby mode so that the hood operates at a lower velocity yet fulfills minimum air exchange requirements. Lower velocity modes have the added benefit of quieter operation than full velocity mode.

Operating the blower at lower speed at night or while the hood is unoccupied saves money. For example, a 6' fume hood operating at 100 fpm (735 CFM at \$7/CFM/year) at the 18" sash height at constant volume can cost \$5,145 per year to operate. In contrast, a 6' Hood with an Intelli-Sense Blower used 4 hours per day with proper fume hood sash closing and blower speed reduction would cost only \$2,578 per year to operate, an annual savings of approximately 50%.



Intelli-Sense Blowers include a blower switch for operating the fume hood at two or three different speeds. Operating the hood at a lower speed while unoccupied saves energy and money.

Easy selection. Intelli-Sense Blowers take much of the guesswork out of blower selection. Since they are adjustable over a broad airflow range, they may be used to exhaust fume hoods from 3' to 7' in width at full sash open height and 100 fpm face velocity. The blowers may also be used with hoods from 8' to 16' in width with reduced air volume modifications. As needs change, the blower settings may be adjusted to accommodate new airflow requirements. To select the right blower for your application, follow these four easy steps.

- 1) If the equivalent resistance* of your ductwork is equal to or less than 100 feet, refer to the Intelli-Sense Blower Quick Selection Guide below and note the nominal inlet blower diameter(s) suitable for your hood width and desired sash height opening. If the equivalent resistance of your ductwork is unknown or exceeds 100 feet, contact Labconco for blower sizing assistance.

Intelli-Sense Blower Quick Selection Guide

Protector Hood Width	Blower for use with Hood with Reduced Sash Opening Height (18")**	Blower for use with Hood with Full Open Sash Opening Height (28")**	Blower, 10" Inlet, CFM Range	Blower, 12" Inlet, CFM Range
3'	10", 12"	10", 12"	175-495	200-495
4'	10", 12"	10", 12"	175-735	200-735
5'	10", 12"	10", 12"	175-955	200-955
6'	10", 12"	12"	175-1100	200-1180
7'	10", 12"	12"	175-1100	200-1410
8'	10", 12"	12"†	175-1100	200-1410
10'	12"	12"††	—	200-1410
12'	12"†	—	—	200-1410
16'	12"††	—	—	200-1410

Minimum CFMs require a damper, sold separately.

- 2) Choose the blower type that is most compatible with the chemical fumes that will pass through it.
 - a. Mild to Moderate Corrosive Chemicals. Choose a Coated Steel. Go to page 3.
 - b. Moderate to Highly Corrosive Chemicals. Choose a Fiberglass. Go to page 4.
 - c. Highly Corrosive Acids or Perchloric Acid. Choose a PVC. Go to page 5.
- 3) Refer to the Ordering Information for the blowers with the suitable inlet diameter (10" and/or 12").
- 4) Choose the Catalog Number with the motor electrical configuration that matches your requirements.
 - a. 115 volts, 50/60 Hz
 - b. 230 volts, 50/60 Hz

*Equivalent resistance of 100 feet is approximately equal to a total of one 90° elbow, one Zero Pressure Weathercap and 75 feet of 10" or 12" diameter straight duct. If the equivalent resistance of your ductwork exceeds 100 feet, contact Labconco for assistance or follow the Blower Sizing steps on page 6.

** 10" = Intelli-Sense Blowers with nominal 10" inlets,
12" = Intelli-Sense Blowers with nominal 12" inlets

† Restricted to 80 fpm maximum. Not for use with Perchloric Acid Hoods.

†† Restricted to 60 fpm maximum. Not for use with Perchloric Acid Hoods.



Intelli-Sense™ Multi-Speed Coated Steel Blowers



Recommended for low to moderately corrosive applications. For greater corrosion protection, refer to the Fiberglass Blowers and PVC Blowers.

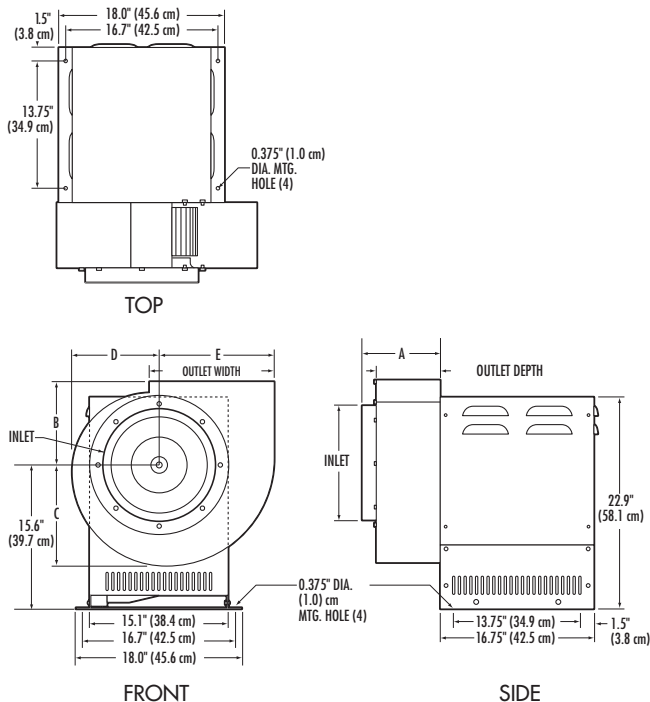
Features & Benefits

- Phenolic coating on impeller and housing is corrosion resistant.
- Powder-coated base and weather cover provide long life in extreme weather.
- Direct drive, UL* listed, ECM motor uses one third less energy than belt drive motors.
- Thermal override protection. RPM speeds are automatically reduced when motor is overloaded.
- Flow-through vent holes and louvers allow air to circulate.
- Removable weather cover allows easy access to ECM motor and impeller shaft.
- Forward curved impellers are balanced to ensure quiet operation and optimum air delivery.
- Speed control box included for mounting on top of customer-supplied fume hood and blower switch and label† for multiple speed operation.
- When blower is properly installed to ductwork, sound levels range from 50 to 70 dba.
- Variable exhaust orientation adjusts to eight outlet positions for installation flexibility (vertical discharge is recommended).

*UL is a trademark of UL LLC, Northbrook, IL.

†Label is factory-prepared for Protector XStream, Premier, XL, Stainless Steel, PVC, and Pass-Through Laboratory Hoods, and Basic and Fiberglass 30 Laboratory Hoods. For other hoods, the switch may require on-site hood modifications or mounting on an adjacent wall. Switch cutout is 0.83" x 1.45" (2.1 x 3.7 cm).

Dimensional Data



Dimension	VWR Cat.No. 10127-920 & 10127-922	VWR Cat. No. 10127-924 & 10127-926
A	7.2" (18.2 cm)	8.6" (21.7 cm)
B	7.0" (17.8 cm)	9.0" (22.9 cm)
C	8.1" (20.7 cm)	10.5" (26.7 cm)
D	6.8" (17.3 cm)	9.0" (22.9 cm)
E	9.25" (23.5 cm)	12.5" (31.8 cm)
Inlet	10.9" (27.6 cm) ID	12.25" (31.1 cm) OD
Outlet	5.5" (14.0 cm) D x 10.0" (25.4 cm) W	7.0" (17.8 cm) D x 13.5" (34.3 cm) W
Wheel	9.2" (23.3 cm) Dia. x 4.25" (10.8 cm) W	12.2" (31.0 cm) Dia. x 5.25" (13.3 cm) W

Ordering Information

Nominal Inlet Diameter: 10"

Overall Range: 175 CFM @ 0.06" H₂O to 1050 CFM @ 1.9" H₂O or 1200 CFM @ 1.0" H₂O

VWR Cat. No.	HP	Motor Data Electrical Requirements	F.L. Amps	Nom. Inlet Dia.	Shipping Weight
10127-920	1	115 volts, 50/60 Hz	10	10"	80 lbs. (36 kg)
10127-922	1	230 volts, 50/60 Hz	6	10"	80 lbs. (36 kg)

Speed (RPM)	Optimum Airflow (CFM) and Static Pressure (inches of water) Range
1800 MAX	750 CFM @ 2.2" to 1050 CFM @ 1.9"
1500	650 CFM @ 1.6" to 1250 CFM @ 0.7"
1250	550 CFM @ 1.1" to 1050 CFM @ 0.5"
1000	400 CFM @ 0.7" to 850 CFM @ 0.33"
750	275 CFM @ 0.37" to 650 CFM @ 0.2"
500	200 CFM @ 0.2" to 450 CFM @ 0.1"
300	175 CFM @ 0.06" to 350 CFM @ 0.08"***

Ordering Information

Nominal Inlet Diameter: 12"

Overall Range: 200 CFM @ 0.08" H₂O to 1350 CFM @ 1.5" H₂O

VWR Cat. No.	HP	Motor Data Electrical Requirements	F.L. Amps	Nom. Inlet Dia.	Shipping Weight
10127-924	1	115 volts, 50/60 Hz	10	12"	85 lbs. (39 kg)
10127-926	1	230 volts, 50/60 Hz	6	12"	85 lbs. (39 kg)

Speed (RPM)	Optimum Airflow (CFM) and Static Pressure (inches of water) Range
1125 MAX	1200 CFM @ 1.6" to 1350 CFM @ 1.5"
1000	1100 CFM @ 1.3" to 1450 CFM @ 1.2"
750	800 CFM @ 0.8" to 1150 CFM @ 0.7"
500	550 CFM @ 0.33" to 725 CFM @ 0.3"
300	200 CFM @ 0.08" to 450 CFM @ 0.1"***

***Minimum CFMs require a damper, not included.

See Blower Performance Curves on back cover.



Intelli-Sense™ Multi-Speed Fiberglass Blowers



Ideal for fume hood exhaust systems in moderate to highly corrosive conditions. They are not recommended for use with perchloric acid. Please refer to PVC Blowers for perchloric acid use.

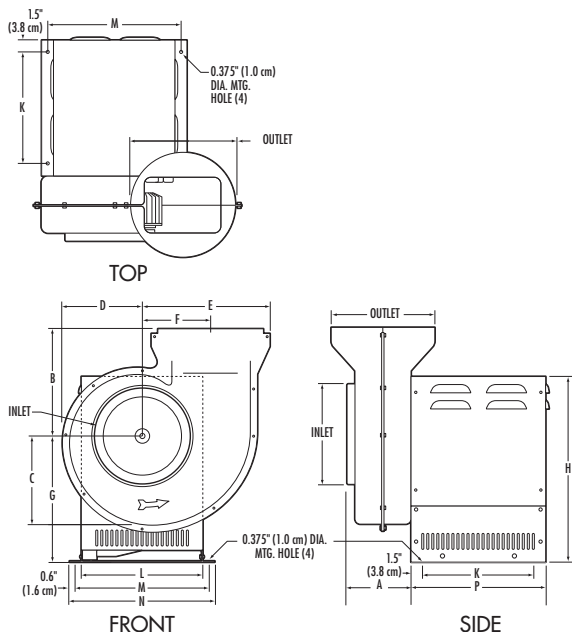
Features & Benefits

- Housings are made from molded fiberglass reinforced polyester for durability and long life.
- Balanced, forward-curved impellers made of injection-molded polypropylene resist corrosive atmospheres, operate quietly and provide optimum air delivery.
- Powder-coated base and weather cover provide long life in extreme weather.
- Direct drive, UL* listed, ECM motor uses one third less energy than belt drive motors.
- Inlet and discharge diameters are sized to receive rigid PVC ducting material directly for easy installation.
- Thermal override protection. RPM speeds are automatically reduced when motor is overloaded.
- Flow-through vent holes and louvers allow air to circulate.
- Speed control box included for mounting on top of customer-supplied fume hood and blower switch and label* for multiple speed operation.
- When blower is properly installed to ductwork, sound levels range from 50 to 70 dba.
- Variable exhaust orientation adjusts to eight outlet positions for installation flexibility (vertical discharge is recommended).

*UL is a trademark of UL LLC, Northbrook, IL

†Label is factory-prepared for Protector XStream, Premier, XL, Stainless Steel, PVC, and Pass-Through Laboratory Hoods, and Basic and Fiberglass 30 Laboratory Hoods. For other hoods, the switch may require on-site hood modifications or mounting on an adjacent wall. Switch cutout is 0.83" x 1.45" (2.1 x 3.7 cm).

Dimensional Data



Dimension	VWR Cat. No. 10127-928 & 10127-930	VWR Cat. No. 10128-042 & 10128-044
A	7.1" (18.1 cm)	8.0" (20.3 cm)
B	12.7" (32.2 cm)	13.2" (33.5 cm)
C	10.5" (26.7 cm)	12.0" (30.5 cm)
D	8.75" (22.2 cm)	10.0" (25.4 cm)
E	13.9" (35.3 cm)	15.9" (40.3 cm)
F	7.5" (19.1 cm)	8.5" (21.6 cm)
G	15.6" (39.7 cm)	15.6" (39.7 cm)
H	22.9" (58.1 cm)	22.9" (58.1 cm)
K	13.75" (34.9 cm)	13.75" (34.9 cm)
L	15.1" (38.4 cm)	15.1" (38.4 cm)
M	16.7" (42.5 cm)	16.7" (42.5 cm)
N	18.0" (45.6 cm)	18.0" (108.0 cm)
P	16.75" (42.6 cm)	16.75" (42.6 cm)
INLET	10.4" (26.4 cm) OD	12.4" (108.2 cm) OD
OUTLET	10.75" (27.3 cm) ID	12.75" (32.4 cm) ID
WHEEL	9.9" (25.2 cm) Dia. x 3.3" (8.4 cm) W	11.8" (30.0 cm) Dia. x 4.25" (10.8 cm) W

Ordering Information

Nominal Inlet/Outlet Diameter: 10"

Overall Range: 175 CFM @ 0.06" H₂O to 1025 CFM @ 1.6" H₂O

VWR Cat. No.	HP	Motor Data Electrical Requirements	F.L. Amps	Nom. Inlet Dia.	Shipping Weight
10127-928	1	115 volts, 50/60 Hz	10	10"	80 lbs. (36 kg)
10127-930	1	230 volts, 50/60 Hz	6	10"	80 lbs. (36 kg)

Speed (RPM)	Optimum Airflow (CFM) and Static Pressure (inches of water) Range
1800 MAX	750 CFM @ 1.7" to 1025 CFM @ 1.55"
1500	600 CFM @ 1.2" to 1050 CFM @ 0.5"
1250	500 CFM @ 0.8" to 850 CFM @ 0.37"
1000	400 CFM @ 0.6" to 700 CFM @ 0.25"
750	300 CFM @ 0.3" to 475 CFM @ 0.12"
500	200 CFM @ 0.12" to 325 CFM @ 0.06"
300	175 CFM @ 0.06" to 275 CFM @ 0.04***

Ordering Information

Nominal Inlet/Outlet Diameter: 12"

Overall Range: 200 CFM @ 0.08" H₂O to 1400 CFM @ 0.87" H₂O or 1150 CFM @ 1.4" H₂O

VWR Cat. No.	HP	Motor Data Electrical Requirements	F.L. Amps	Nom. Inlet Dia.	Shipping Weight
10128-042	1	115 volts, 50/60 Hz	10	12"	85 lbs. (39 kg)
10128-044	1	230 volts, 50/60 Hz	6	12"	85 lbs. (39 kg)

Speed (RPM)	Optimum Airflow (CFM) and Static Pressure (inches of water) Range
1400 MAX	960 CFM @ 1.7" to 1100 CFM @ 1.7"
1300	900 CFM @ 1.5" to 1150 CFM @ 1.4"
1250	850 CFM @ 1.3" to 1400 CFM @ 0.87"
1125	780 CFM @ 1.1" to 1310 CFM @ 0.75"
1000	700 CFM @ 0.87" to 1180 CFM @ 0.62"
750	450 CFM @ 0.4" to 860 CFM @ 0.34"
500	300 CFM @ 0.2" to 575 CFM @ 0.12"
300	200 CFM @ 0.08" to 450 CFM @ 0.1***

**Minimum CFMs require a damper, not included.

See Blower Performance Curves on back cover.



Intelli-Sense™ Multi-Speed PVC Blowers



Handle extremely corrosive atmospheres produced by high order oxidizers such as perchloric acid. They have a drain connection on the lower portion of the housing so that a washdown system can be utilized.

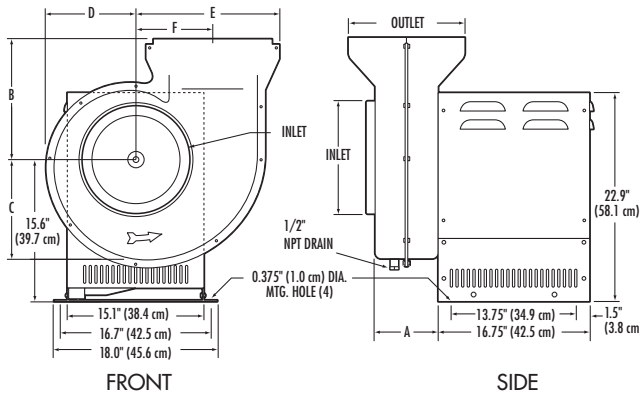
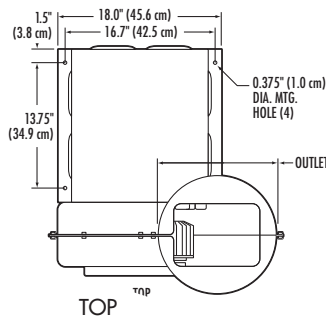
Features & Benefits

- Housings are vacuum formed from unplasticized Type I polyvinyl chloride for complete corrosion protection.
- Impellers made of injection molded PVDF resist highly corrosive atmospheres, operate quietly and provide optimum delivery.
- Powder-coated base and weather cover provide long life in extreme weather.
- Direct drive, UL* listed, ECM motor uses one third less energy than belt drive motors.
- Inlet and discharge diameters are sized to receive rigid PVC ducting material directly for easy installation. Blowers are available with 10" and 12" inlet/outlet connections.
- Thermal override protection. RPM speeds are automatically reduced when motor is overloaded.
- Flow-through vent holes and louvers allow air to circulate.
- Speed control box included for mounting on top of customer-supplied fume hood and blower switch and label* for multiple speed operation.
- Convenient access to impeller assembly provides for easy maintenance.
- When blower is properly installed to ductwork, sound levels range from 50 to 70 dba.
- Variable exhaust orientation adjusts to eight outlet positions for installation flexibility (vertical discharge is recommended).

*UL is a trademark of UL LLC, Northbrook, IL.

*Label is factory-prepared for Protector XStream, Premier, XL, Stainless Steel, PVC, and Pass-Through Laboratory Hoods, and Basic and Fiberglass 30 Laboratory Hoods. For other hoods, the switch may require on-site hood modifications or mounting on an adjacent wall. Switch cutout is 0.83" x 1.45" (2.1 x 3.7 cm).

Dimensional Data



Dimension	VWR Cat. No. 10128-046 & 10128-048	VWR Cat. No. 10128-050 & 10128-052
A	7.1" (18.1 cm)	8.0" (20.3 cm)
B	12.7" (32.2 cm)	13.2" (33.5 cm)
C	10.5" (26.7 cm)	12.0" (30.5 cm)
D	8.75" (22.2 cm)	10.0" (25.4 cm)
E	13.9" (35.3 cm)	15.9" (40.3 cm)
F	7.5" (19.1 cm)	8.50" (21.6 cm)
INLET	10.4" (26.4 cm) OD	12.4" (31.4 cm) OD
OUTLET	10.75" (27.3 cm) ID	12.75" (32.4 cm) ID
WHEEL	9.9" (25.2 cm) Dia. x 3.3" (8.4 cm) W	11.8" (30.0 cm) Dia. x 4.25" (10.8 cm) W

Ordering Information

Nominal Inlet/Outlet Diameter: 10"

Overall Range: 175 CFM @ 0.06" H₂O to 1100 CFM @ 1.3" H₂O

VWR Cat. No.	HP	Motor Data Electrical Requirements	F.L. Amps	Nom. Inlet Dia.	Shipping Weight
10128-046	1	115 volts, 50/60 Hz	10	10"	80 lbs. (36 kg)
10128-048	1	230 volts, 50/60 Hz	6	10"	80 lbs. (36 kg)

Speed (RPM) Optimum Airflow (CFM) and Static Pressure (inches of water) Range

1800 MAX	650 CFM @ 1.7" to 1100 CFM @ 1.3"
1500	600 CFM @ 1.2" to 1050 CFM @ 0.5"
1250	500 CFM @ 0.8" to 900 CFM @ 0.33"
1000	375 CFM @ 0.6" to 700 CFM @ 0.2"
750	300 CFM @ 0.3" to 525 CFM @ 0.12"
500	200 CFM @ 0.12" to 350 CFM @ 0.06"
300	175 CFM @ 0.06" to 275 CFM @ 0.04"***

Ordering Information

Nominal Inlet/Outlet Diameter: 12"

Overall Range: 200 CFM @ 0.12" H₂O to 1180 CFM @ 1.7" H₂O

VWR Cat. No.	HP	Motor Data Electrical Requirements	F.L. Amps	Nom. Inlet Dia.	Shipping Weight
10128-050	1	115 volts, 50/60 Hz	10	12"	85 lbs. (39 kg)
10128-052	1	230 volts, 50/60 Hz	6	12"	85 lbs. (39 kg)

Speed (RPM) Optimum Airflow (CFM) and Static Pressure (inches of water) Range

1500 MAX	900 CFM @ 1.9" to 1025 CFM @ 1.8"
1400	900 CFM @ 1.8" to 1180 CFM @ 1.7"
1250	850 CFM @ 1.37" to 1325 CFM @ 0.8"
1000	675 CFM @ 0.9" to 1100 CFM @ 0.6"
750	450 CFM @ 0.45" to 825 CFM @ 0.33"
500	300 CFM @ 0.20" to 550 CFM @ 0.12"
300	200 CFM @ 0.08" to 400 CFM @ 0.1"***

**Minimum CFMs require a damper, not included.

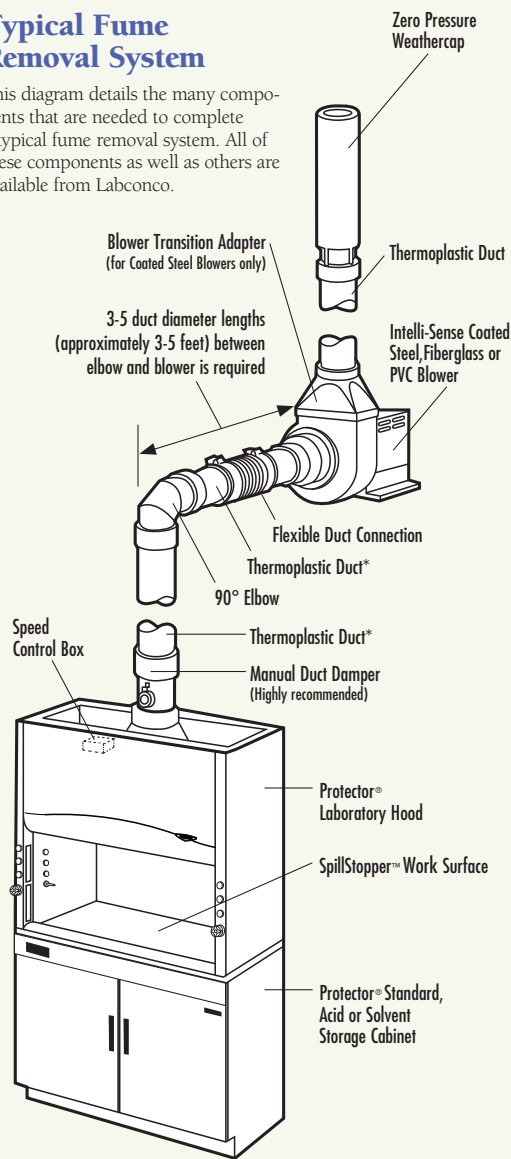
See Blower Performance Curves on back cover.



Ductwork and Accessories

Typical Fume Removal System

This diagram details the many components that are needed to complete a typical fume removal system. All of these components as well as others are available from Labconco.



*Minimum of 5 to 15 feet of duct in both locations is recommended for noise reduction.

Blower Sizing

When sizing a blower, it is necessary to include the equivalent resistance factors for all the ductwork and accessories in the fume removal system. The diagram above provides details of the components found in a typical fume removal system. The “equivalent resistance in feet of straight duct” is provided for each ductwork component on the pages that follow.

Steps to sizing the right blower.

We can help. Let a Labconco specialist size your blower.

1. Obtain the CFM and static pressure loss for your fume hood (usually located in the fume hood manual or brochure).
2. Add up all the equivalent resistance in feet of straight duct of the components in your system.
3. Use the Static Pressure Losses for Ductwork chart at right to determine the static pressure of your ductwork based on the CFM of your fume hood.
4. Add the static pressure loss of the ductwork to the static pressure loss of your fume hood to determine the total static pressure loss of your fume removal system.
5. Refer to the Optimum Airflow and Static Pressure Ranges (page 3, 4 or 5 depending on the blower) and Blower Performance Curves (back cover) to confirm your blower selection.

Static Pressure Losses for Ductwork

Nominal Diameter/Inches	6	8	10	12	16
Airflow/CFM	Static Pressure Loss/Inches H ₂ O for Each 10 ft. of Duct Length				
250	0.039	0.011	0.003	0.001	—
500	0.147	0.037	0.013	0.005	0.001
750	0.321	0.079	0.026	0.011	0.003
1000	0.557	0.140	0.043	0.018	0.005
1250	0.855	0.210	0.066	0.027	0.008
1500	—	0.300	0.095	0.039	0.012
1750	—	0.380	0.130	0.053	0.016
2000	—	0.485	0.155	0.067	0.020
2500	—	—	0.245	0.109	0.031
3000	—	—	—	0.145	0.042
4000	—	—	—	0.240	0.074
5000	—	—	—	—	0.120



Thermoplastic Duct

PVC exhaust duct is Type I, unplasticized, schedule 40, lightweight and corrosion-resistant. A Female Duct Coupling is required to join two sections. Connections can be made using solvent cement. PVC is rigid and may be cut without the use of special tools. Comes in 10' lengths. Flame spread <10.[†]

Nominal Diameter/Inches	6	8	10	12	16
VWR Cat. No.	30152-636	30182-086	30182-268	30182-504	82006-918
Actual OD/inches	6.625	8.625	10.75	12.75	16.0
Actual ID/inches	6.25	8.25	10.375	12.375	15.625
Shipping Weight lbs./kg	25/11	35/16	50/23	65/29	80/86



Duct Couplings, Female

PVC coupling makes connections between two sections of thermoplastic duct quick and easy.

Nominal Diameter/Inches	6	8	10	12	16
VWR Cat. No.	30152-638	30182-177	30182-359	30182-138	82006-920
Shipping Weight lbs./kg	4/2	5/2	5/2	6/3	7/3
Equivalent Resistance in feet of Straight Duct	0	0	0	0	0



Duct Couplings, Male

PVC duct in 6" lengths facilitates connections between Blowers and Elbows, Thermoplastic Duct Reducers and Weathercaps.

Nominal Diameter/Inches	6	8	10	12
VWR Cat. No.	82006-922	82006-924	82006-926	82006-928
Actual OD/inches	6.625	8.625	10.75	12.75
Actual ID/inches	6.25	8.25	10.375	12.375
Shipping Weight lbs./kg	3/1	4/2	5/2	6/3

**Duct made of other materials may require adapters.

† ASTM E-84-09C, modified for round material.



Ductwork and Accessories



Elbows

PVC elbows, both 45° and 90°, are compatible with thermoplastic duct. Designed and engineered for quick installation and minimum pressure losses, they feature belled end connections to receive PVC duct directly.

Nominal Diameter/Inches	6	8	10	12	16
VWR Cat. No.	30152-640	30182-111	30182-290	30182-136	82006-930
Approx. Height/Inches	13.625	17.3	20.375	24.2	29.0
Shipping Weight lbs./kg	8/4	10/5	12/5	14/6	17/8
Equivalent Resistance in feet of Straight Duct	12	15	20	25	36

Nominal Diameter/Inches	6	8	10	12	16
VWR Cat. No.	30182-124	30182-144	30182-326	30182-142	82006-932
Approx. Height/Inches	8.75	10.75	12.5	15	17.5
Shipping Weight lbs./kg	8/4	10/5	12/5	14/6	17/8
Equivalent Resistance in feet of Straight Duct	6	7.5	10	12.5	18



Thermoplastic Duct Reducers

PVC coupling type reducers are designed for connecting thermoplastic duct of different diameters. Compare your blower inlet size with your duct size to see if one is necessary.

Nominal Diameter/Inches	6 x 8	8 x 10	10 x 12	12 x 16
VWR Cat. No.	82006-934	82006-936	82006-938	82006-940
Shipping Weight lbs./kg	2/1	5/2	6/3	8/4
Equivalent Resistance in feet of Straight Duct	0	0	0	0



Zero Pressure Weathercaps

The Zero Pressure Weathercap is made of strong, corrosion-resistant PVC. The cap adds little static pressure to the exhaust system and allows for vertical discharge of the effluent air for dispersion away from the building.

Nominal Diameter/Inches	6	8	10	12	16
VWR Cat. No.	30152-646	30153-696	26674-520	30185-000	82006-942
Approx. Height/Inches	36	40	48	56	72
Shipping Weight lbs./kg	20/9	25/11	30/14	35/16	40/18
Equivalent Resistance in feet of Straight Duct	5	5	5	5	5



Spiral Tube

This spiral tube simplifies temporary installations. It is corrosion-resistant, neoprene-impregnated fiberglass reinforced with steel wire. Includes rigid duct connector and two clamps. Length is ten feet.

Nominal Diameter/Inches	7" for use with 6" fittings	13" for use with 8" fittings	13" for use with 10" fittings
VWR Cat. No.	27682-186	30182-235	30182-417
Shipping Weight lbs./kg	10/5	15/7	20/9
Equivalent Resistance in feet of Straight Duct	Because this ductwork is flexible and may conform to various configurations, it is not possible to know the precise equivalent resistance.		



Manual Duct Dampers

This damper fitting allows you to balance airflow. It is highly recommended for use with Intelli-Sense Blowers. It may be used with exhaust and auxiliary-air ducts, and is usually placed directly into the fume hood collar.

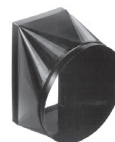
Nominal Diameter/Inches	6	8	10	12	16
VWR Cat. No.	82010-726	82006-948	82006-950	82006-952	82006-954
Shipping Weight lbs./kg	10/5	12/5	15/7	20/9	25/11
Approx. Height/Inches	14	19.125	19.5	19.67	24



Flexible Duct Connections

This flexible neoprene-impregnated polyester connection reduces vibration between the blower and PVC ductwork. Supplied with two clamps for easy installation. 12" length.

Nominal Diameter/Inches	9" for use with 8" fittings	11" for use with 10" fittings	13" for use with 12" fittings
VWR Cat. No.	82006-956	30182-500	30182-502
Shipping Weight lbs./kg	5/2	5/2	5/2



Blower Transition Adapters

This epoxy-coated steel transition adapter fits all Labconco Coated Steel Blowers. This adapter allows you to connect round thermoplastic duct to the exhaust side of the blower to create an exhaust stack. Nominal size PVC duct fits inside the adapter opening.

Nominal Diameter/Inches	8	10	12
VWR Cat. No.	30182-130	82006-958	30186-002
Shipping Weight lbs./kg	3/1	4/2	4/2
For use with Labconco Blowers	82006-740-82006-764	82006-740-82006-764	82006-740-82006-764

T and Y Connections

PVC fittings shaped in T and Y configurations. Compatible with thermoplastic duct. End connections receive PVC pipe directly. Contact Labconco for help in sizing blowers with these accessories.



Nominal Diameter/Inches	10 x 10 x 12
VWR Cat. No.	82006-960
T's Shipping Weight lbs./kg	20/9
Approx. Height/Inches	19



Nominal Diameter/Inches	10 x 10 x 12	12 x 12 x 16
VWR Cat. No.	30152-300	82006-962
Y's Shipping Weight lbs./kg	29/9	20/9
Approx. Height/Inches	12.75	23.75



Wash Rings

Wash rings are suitable for use in perchloric acid duct systems. Each features a wide angle conical spray nozzle and wash water standard PVC connector nipple with 3/4" male threads, fabricated into a PVC female coupling for use with 10" or 12" nominal duct.

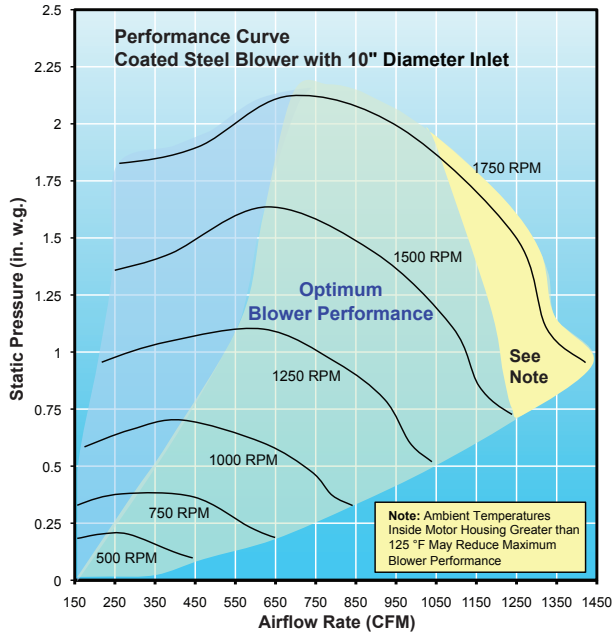
Nominal Diameter/Inches	10	12
VWR Cat. No.	82006-966	82006-968
Shipping Weight lbs./kg	5/2	6/3

Contact VWR for ordering information on HEPA Filter Packs, Charcoal Filter Packs and Backdraft Dampers.



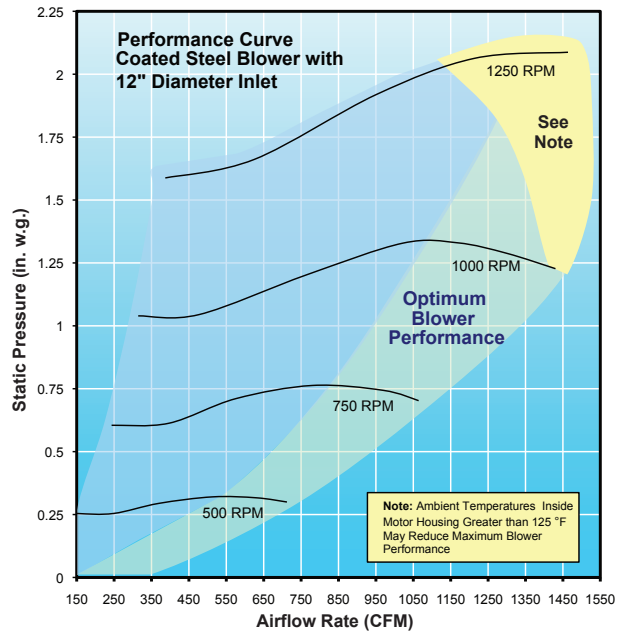
Intelli-Sense™ Multi-Speed Blowers

with 10" Diameter Inlet

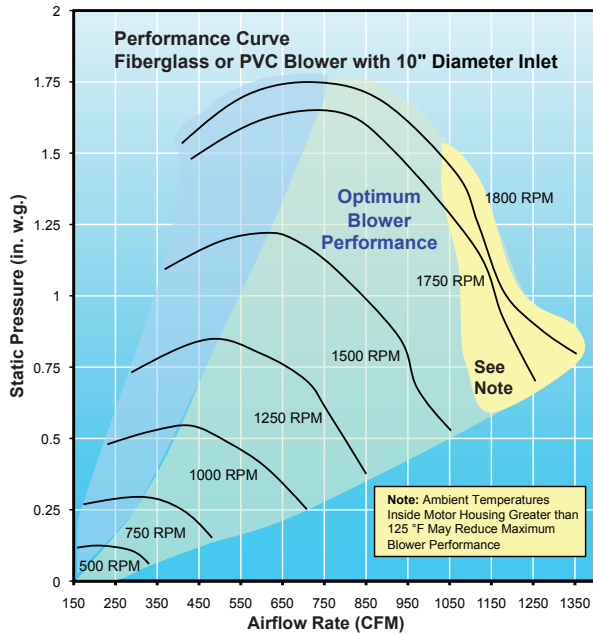


Intelli-Sense Coated Steel Blowers 10127-920 & 10127-922

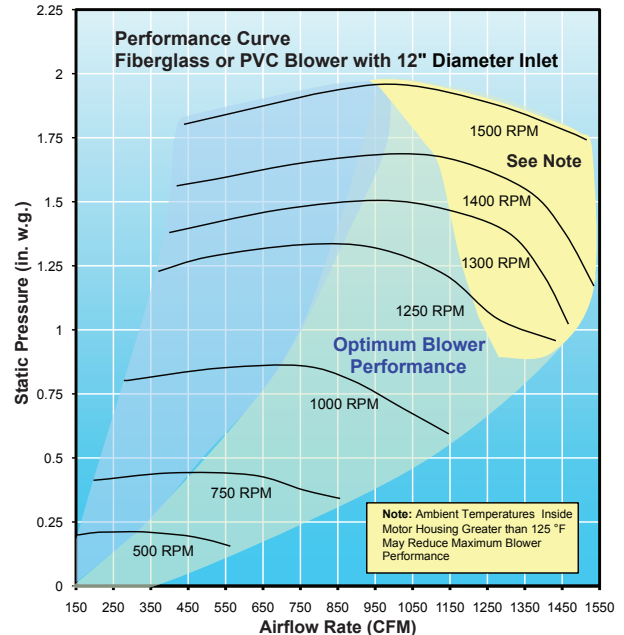
with 12" Diameter Inlet



Intelli-Sense Coated Steel Blowers 10127-924 & 10127-926



Intelli-Sense Fiberglass Blowers 10127-928 & 10127-930
& PVC Blowers 10128-046 & 10128-048



Intelli-Sense Fiberglass Blowers 10128-042 & 10128-044
& PVC Blowers 10128-050 & 10128-052

