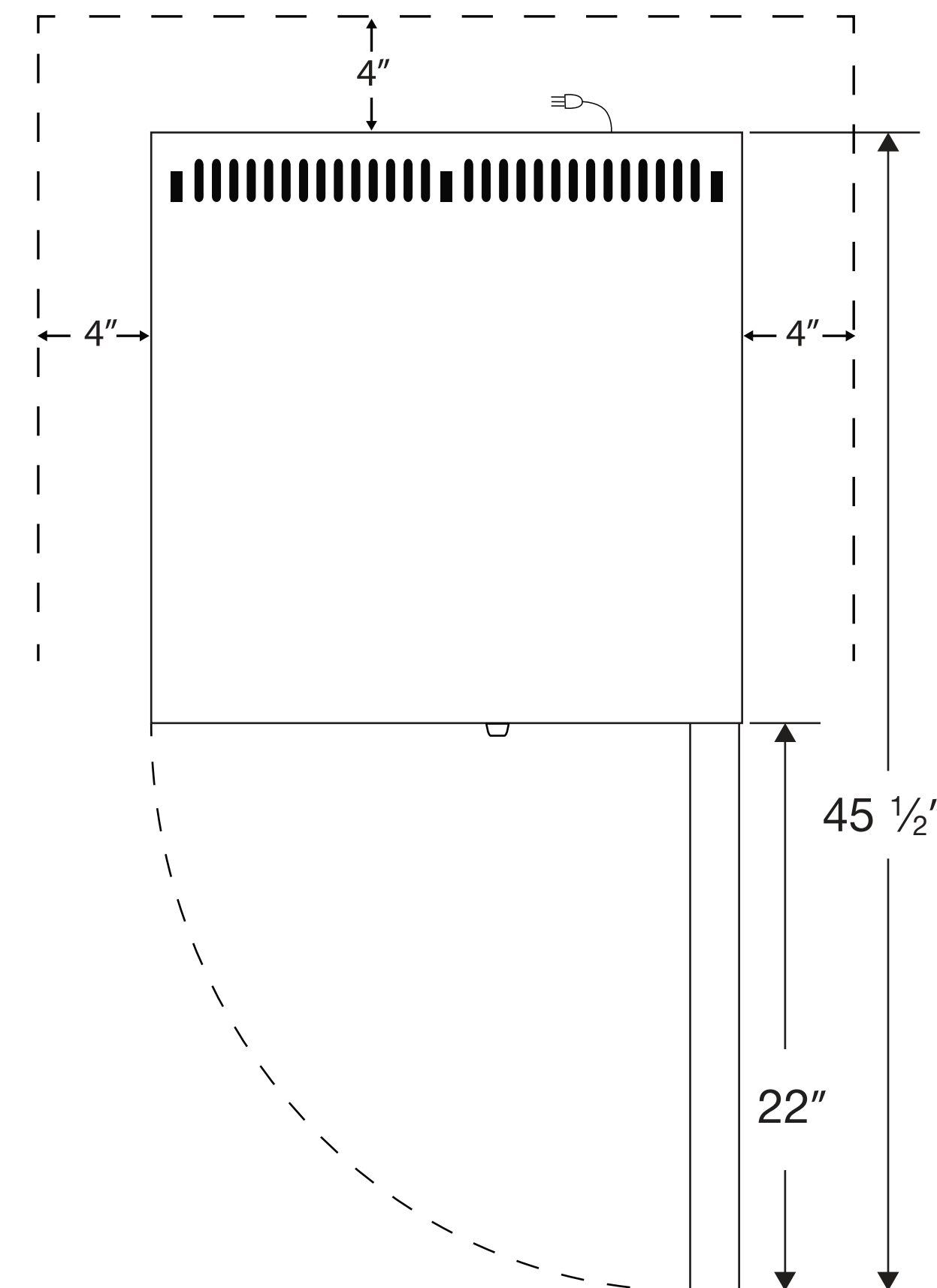
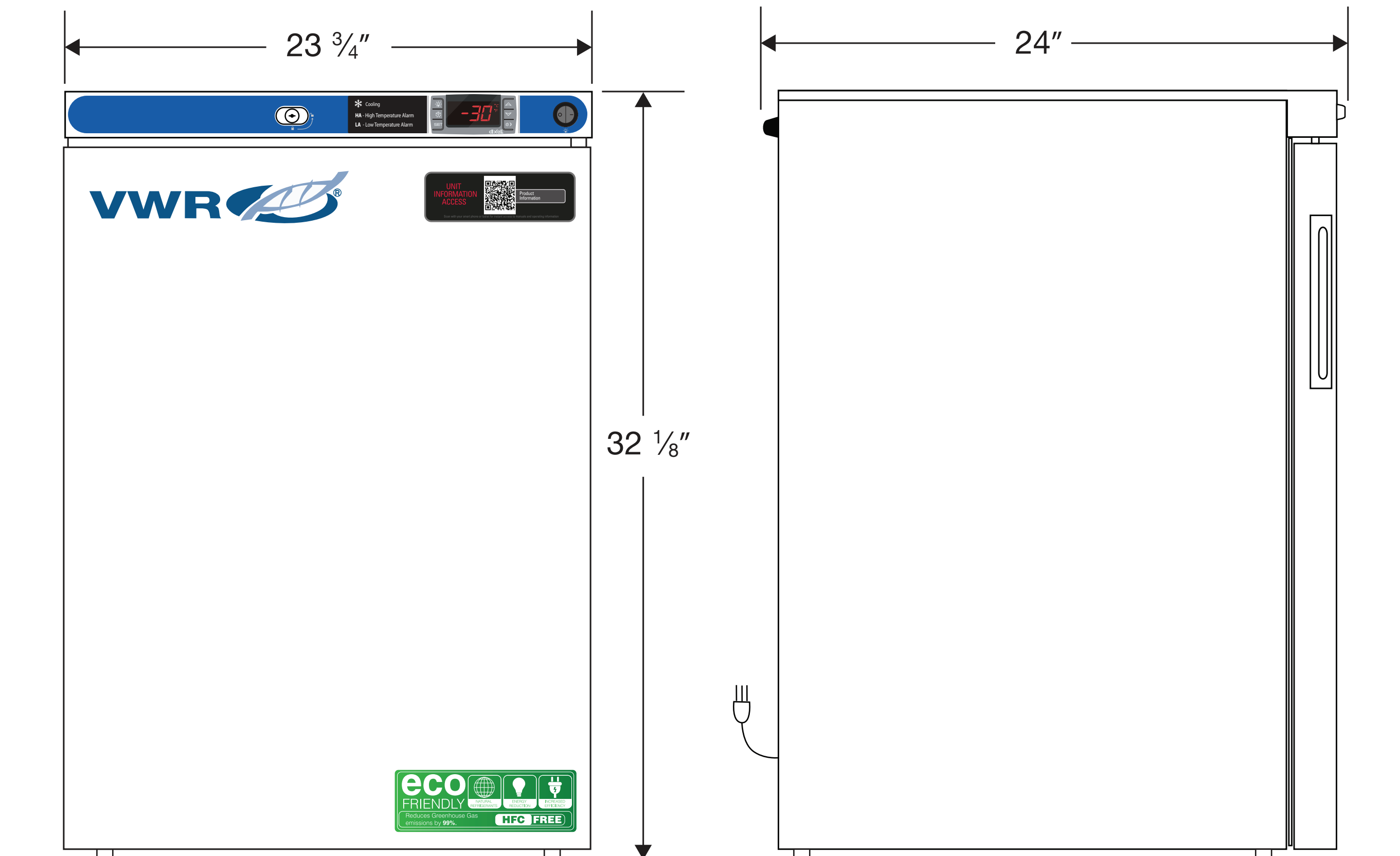


Exterior

Front View

Side View

Top View



NOTE: Ventilation Requirements – Minimum 4" clearance on sides and back

Cat# 10819-892/HCUCFS0430

115VAC/60Hz/1PH
NEMA-5-15P

| Cu.Ft. | Defrost | Door | Int Door | Shelves | W" | D" | H" | Refrigerant | H.P. | Amps | Weight |
|--------|---------|---------|----------|-------------------------|--------|----|--------|-------------|------|------|---------|
| 4 | Manual | 1 Solid | 0 | 3 Adj +Footed Bottom | 23 3/4 | 24 | 32 1/8 | R290 | 1/4 | 2.2 | 93 lbs. |