

Table-top incubators

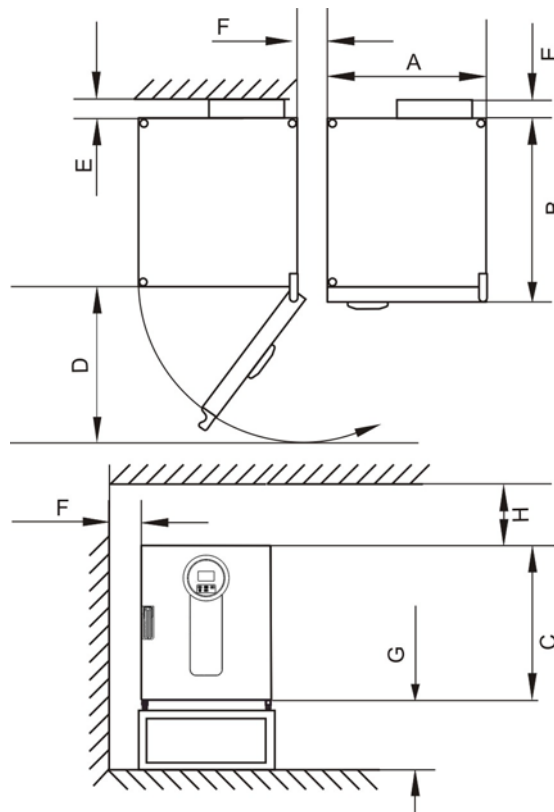


Figure 3-1 Table-top incubators, dimensions and required clearances

Table 3-1 Incubator Dimensions

Model	A (mm)	B (mm)	C (mm)	D (mm)
89511-418	530/20.1	565/22.2	720/28.3	540/21.3
89511-420	640/25.2	565/22.2	820/32.3	650/25.6
89511-422	640/25.2	738/29.1	920/36.2	650/25.6
89511-424	530/20.1	565/22.2	720/28.3	540/21.3
89511-426	640/25.2	565/22.2	820/32.3	650/25.6
89511-428	640/25.2	738/29.1	920/36.2	650/25.6

* Depth of handle /display (66 mm/2.6 in) not included in overall depth specified; height of adjustable feet (36 mm/1.4 in) not included in overall height specified.

Table 3-2 Required Clearances

E (mm)	F (mm)	G (mm)	H (mm)
80/3.1	50/2.0	200/7.9	300/11.8