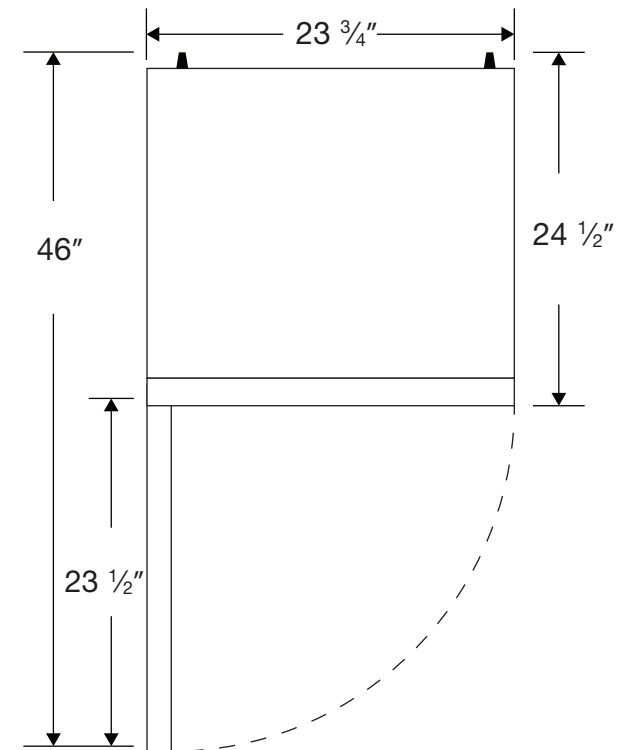
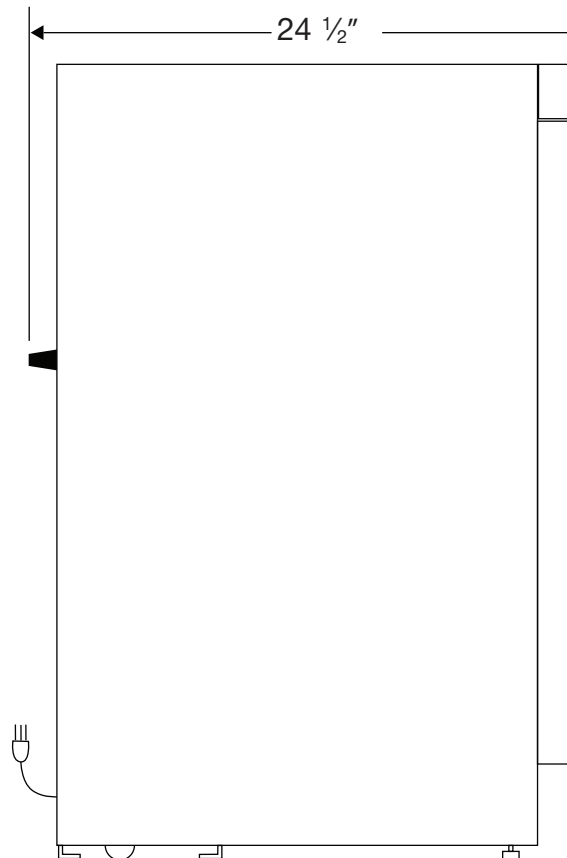
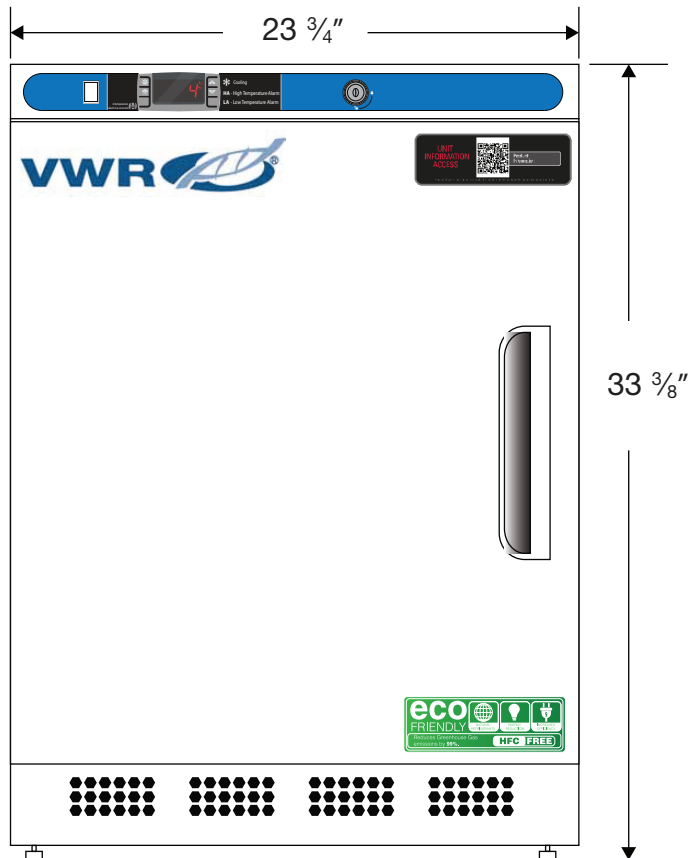


Exterior

Front View

Side View

Top View


Cat# 76210-106/HCUCBI0404LH

 115VAC/60Hz/1PH
 NEMA-5-15P

Cu.Ft.	Defrost	Door	Int Door	Shelves	W"	D"	H"	Refrigerant	H.P.	Amps	Weight
4.6	Cycle	1 Solid LH	0	2 Adj./1 Fixed	$23 \frac{3}{4}$	$24 \frac{1}{2}$	$33 \frac{3}{8}$	R600a	$\frac{1}{8}$	1.74	97 lbs.