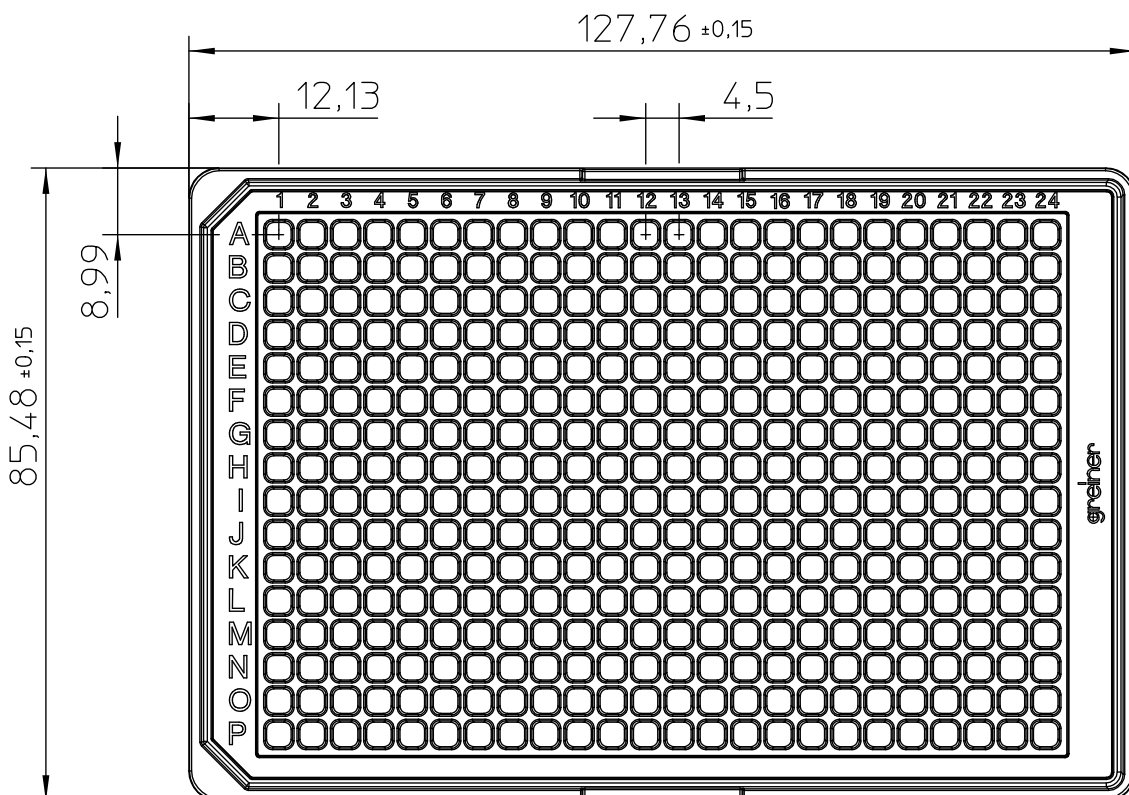
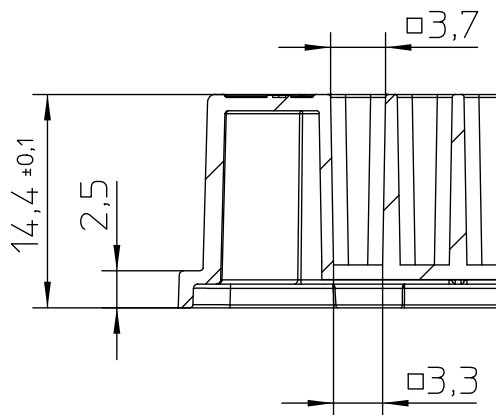




Valid for Item-No.: 781900, 781901, 781904,



"All dimensions in mm"

Customer drawing subject to change without notice!

Uncontrolled Copy

Prior Issue	Drawn	Approved	Released	CONFIDENTIAL: Information contained in this document or drawing is confidential and proprietary to Greiner Bio-One GmbH. This document may not be reproduced for any reason without written permission from Greiner Bio-One GmbH. All rights of design, invention, and copyright are reserved.
Revision 1	Date 2011/08/30	Date 2013/06/24	Date 2013/06/24	
Date 2011/08/30	Name falter	Name schwarzj	Name sonntag	