

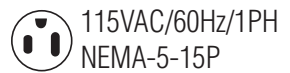
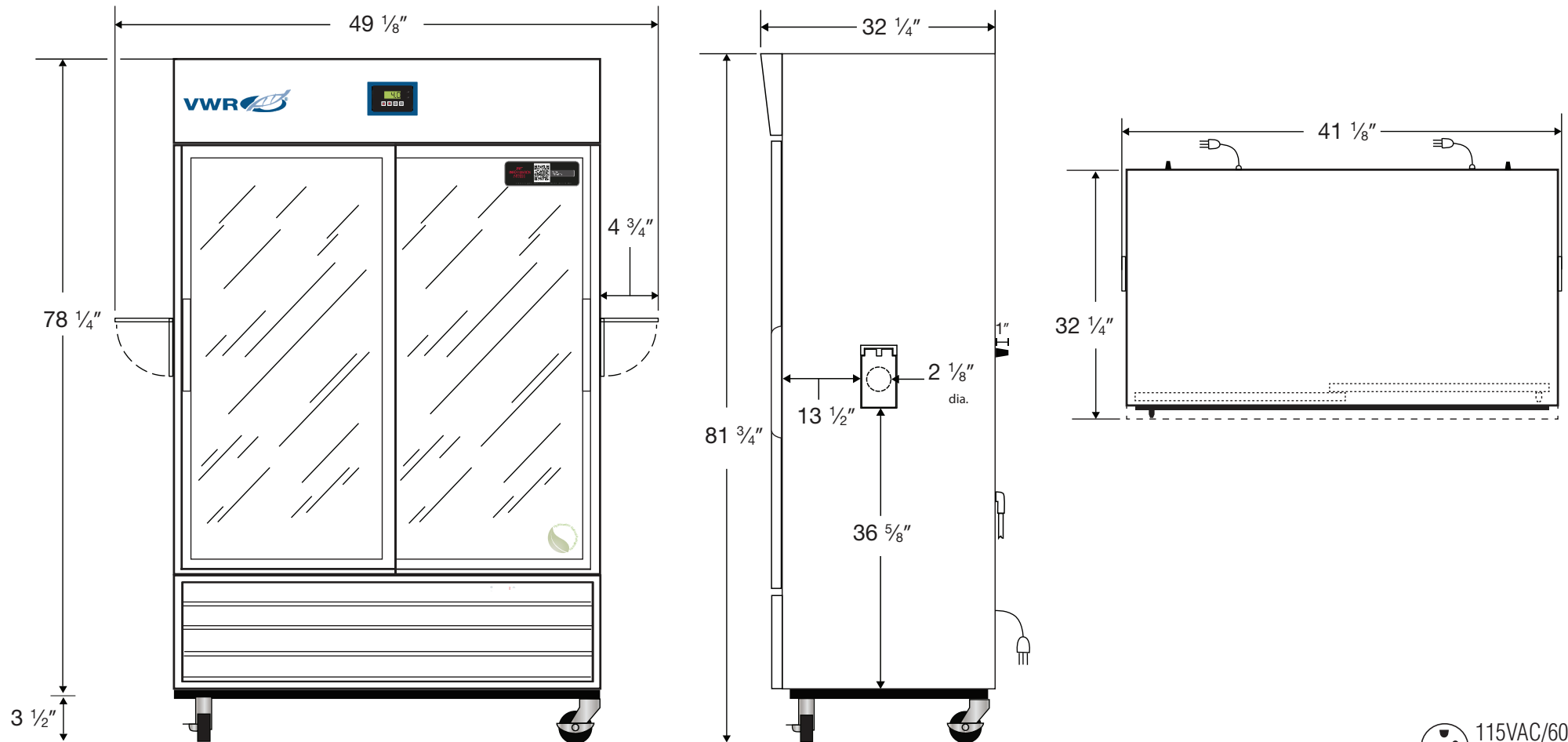
Exterior



Front View

Side View

Top View


 115VAC/60Hz/1PH
 NEMA-5-15P

Cat# 76514-304/VWR-HCCP-33

Cu.Ft.	Defrost	Door	Int Door	Shelves	W"	D"	H"	Refrigerant	H.P.	Amps	Weight
33	Cycle	2 Glass (Sliding)	0	8 Adj.	41 1/8	33 1/4	81 3/4	R290	1/4	4.5	369 lbs.