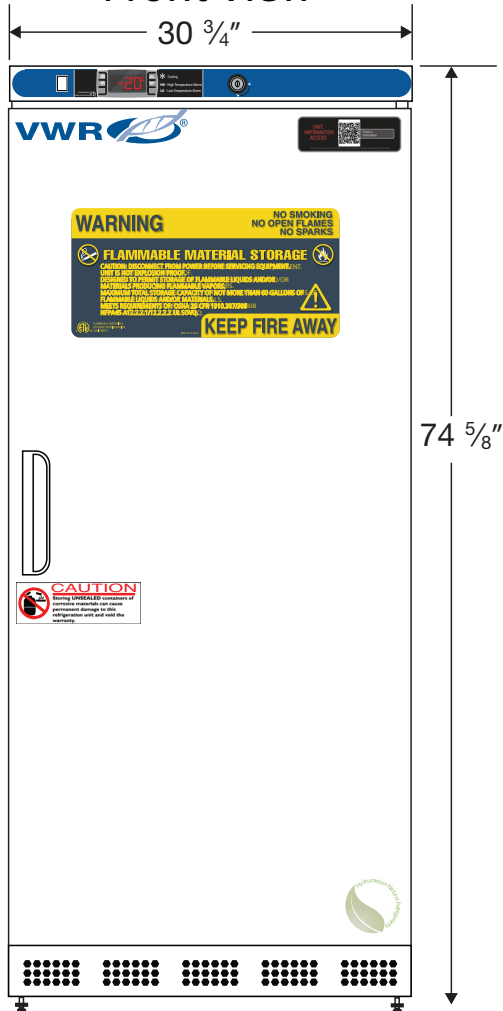


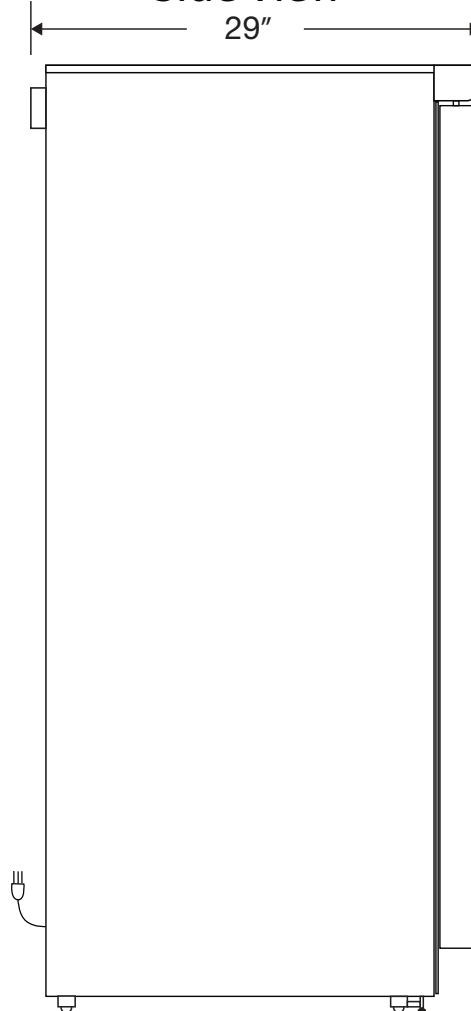
Exterior



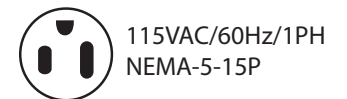
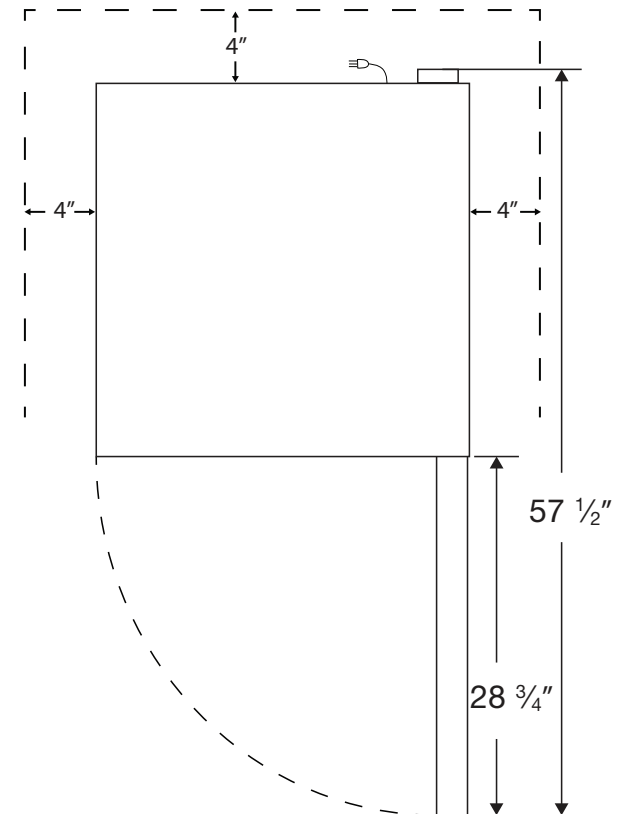
Front View



Side View



Top View



NOTE: Ventilation Requirements – Minimum 4" clearance on sides and back

Cat# 76579-146/VWR-HC-FFP-20

Cu.Ft.	Defrost	Door	Int Door	Shelves	W"	D"	H"	Refrigerant	H.P.	Amps	Weight
20	Manual	1 Solid	0	6 Fixed	30 3/4	29	74 5/8	R290	1/2	6	210 lbs.