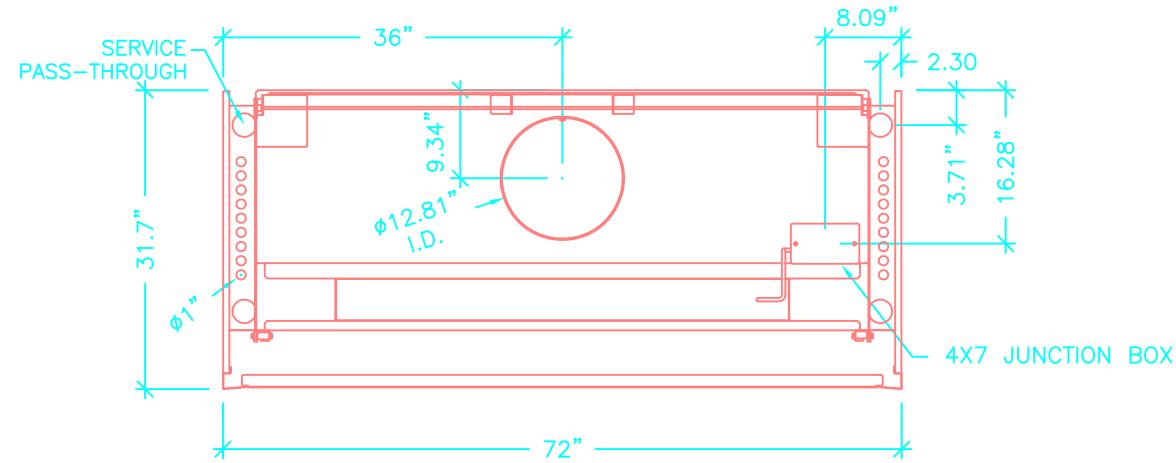


# 89260-054

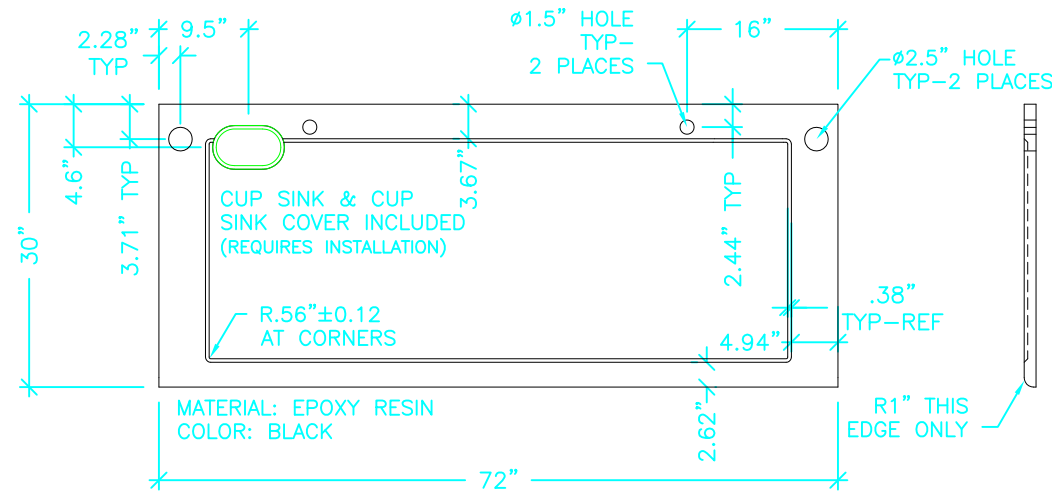
## 6' PROTECTOR PREMIER LABORATORY HOOD

NOMINAL WIDTH	TOTAL EXHAUST CFM & STATIC PRESSURE	100 FPM	S.P.	80 FPM	S.P.	60 FPM	S.P.
6 FEET	@ 18" SASH OPENING (62.5% OPEN)	735	0.16"	590	0.10"	440	0.06"
6 FEET	@ 28" SASH OPENING (100% OPEN)	1180	0.41"	945	0.26"	710	0.15"

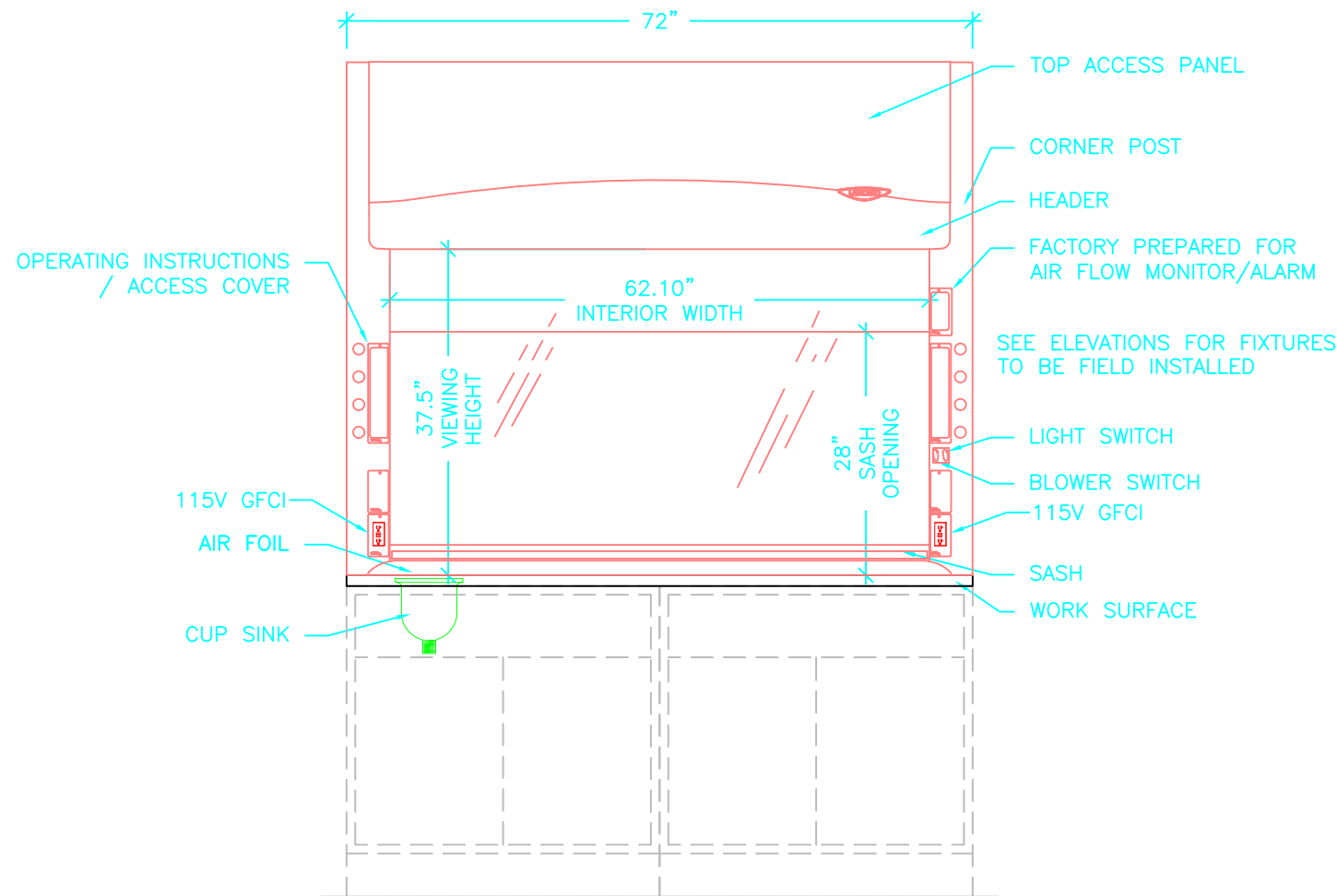
NOTE: SASH STOP INCLUDED AT 18" POSITION.



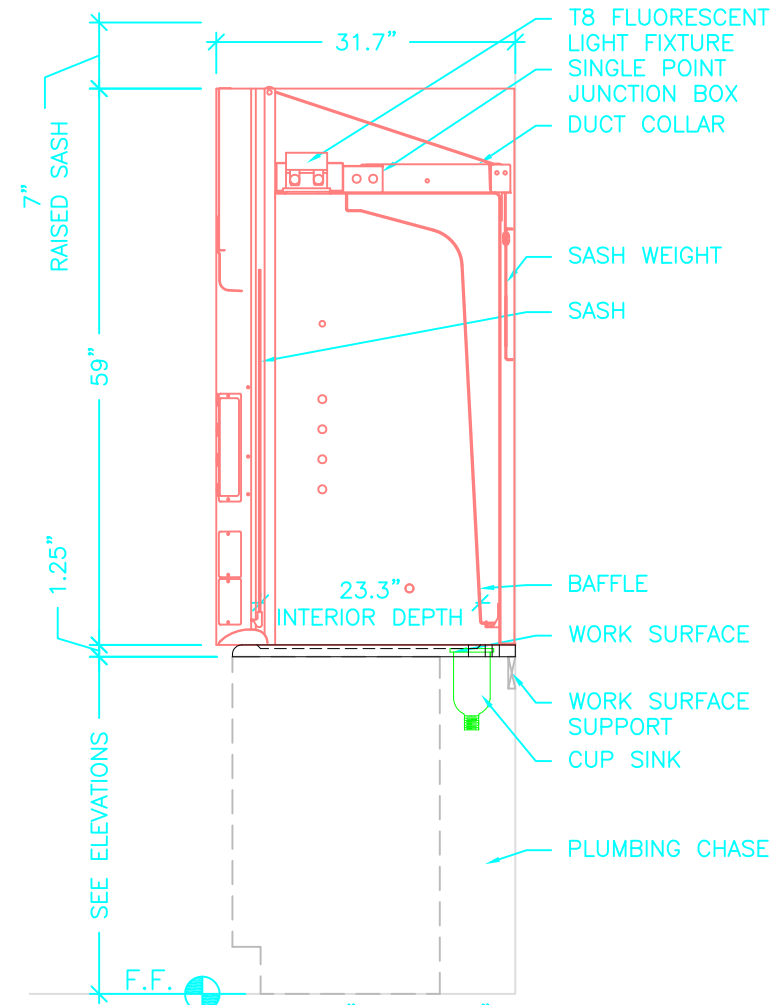
**TOP VIEW**  
SCALE: 1/2" = 1'-0"



**89260-070 WORKSURFACE**  
SCALE: 1/2" = 1'-0"



**FRONT VIEW**  
SCALE: 1/2" = 1'-0"



**SIDE VIEW**  
SCALE: 1/2" = 1'-0"

## GENERAL DESCRIPTIONS

### EXTERIOR SUPERSTRUCTURE

DOUBLE WALL CONSTRUCTION  
18 GAUGE COLD ROLLED STEEL  
COLOR: GLACIER WHITE

### INTERIOR SUPERSTRUCTURE

GALVANIZED STEEL (STANDARD)

### LEFT / RIGHT FACIA

POWDER COATED STEEL  
COLOR: GLACIER WHITE

### LINER MATERIAL

MOLDED FIBERGLASS REINFORCED POLYESTER RESIN

### SIDE PANELS

BOTH SIDES - REMOVABLE  
COLOR: GLACIER WHITE

### ELECTRICAL FIXTURES

FLUORESCENT LIGHT AND TUBES W/ SWITCH  
(2) 115V / 60HZ / 20A GFCI DUPLEXES  
ADDITIONAL ELECTRICAL FIXTURES ORDERED SEPARATELY TO BE INSTALLED AND WIRED BY OTHER

### WIRING

FUME HOOD WIRED AT FACTORY  
ELECTRICAL CONNECTION MADE INSIDE 4X7 JUNCTION BOX  
100-115V, 50/60 HZ  
OVERLOAD RELAY THERMAL UNIT (P-HEATER) NOT PROVIDED WITH HOOD

### SASH

VERTICAL TRAVEL  
TEMPERED SAFETY GLASS  
COUNTER WEIGHTED AND BALANCED  
PULLEY SYSTEM  
SASH STOP @ 18"

### BAFFLES

MOLDED FIBERGLASS REINFORCED POLYESTER RESIN

### INTERIOR ACCESS PANELS

NONE

### CORNER POST WITH ACCESS COVERS

RIGHT AND LEFT SIDES  
18 GAUGE COLD ROLLED STEEL

### AIR FOIL

COLD ROLLED STEEL  
POWDER COAT FINISH

### EXHAUST CONNECTION

MOLDED FIBERGLASS 12.81" ID

### WORKSURFACE

ORDERED SEPARATELY

### CUPSINK

INCLUDED WITH WORKSURFACE

### CABINETS

ORDERED SEPARATELY - SEE ELEVATION(S)

### REMOTE BLOWER

ORDERED SEPARATELY

### ALARM / MONITOR

ORDERED SEPARATELY AS REQUIRED

### PLUMBING

SERVICE FIXTURE KITS ORDERED SEPARATELY AS REQUIRED TO BE INSTALLED AND PLUMBED BY OTHER