

### VWR® 6 Well Tissue Culture Plate Insert

Description: 6 Well Tissue Culture Plate Insert, Sterilized

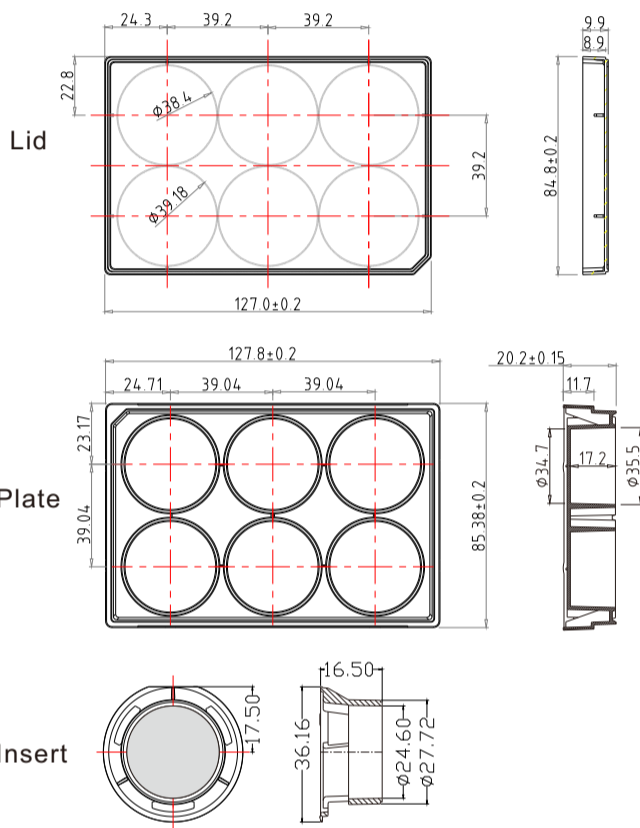
Purpose: All inserts are treated for optimal cell attachment

**Materials**

Plate: GPPS (General polystyrene) Colour: Clear

Lid: GPPS (General polystyrene) Colour: Clear

Insert: GPPS (General polystyrene) Colour: Clear



**Features**

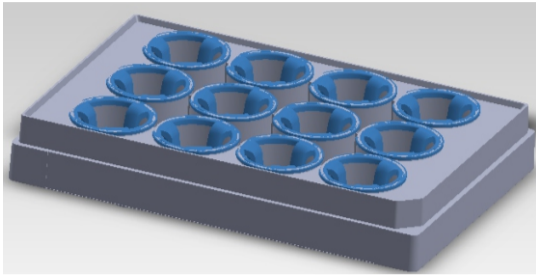
- Available in individual recyclable PET
- Temperature range: -20°C to +50°C
- Autoclavability: No
- Non-pyrogenic
- Sterilized by gamma irradiation SAL10<sup>-6</sup> (ISO11137)
- The plate inserts are sterile and assembled with 6 well plate and resist most fixing and staining agents.
- Shelf life: 3 years after month of production
- Manufactured in a class 100,000 room environment
- Manufactured under ISO13485:2016 and ISO9001:2015 quality management system



### VWR® 6 Well Tissue Culture Plate Insert

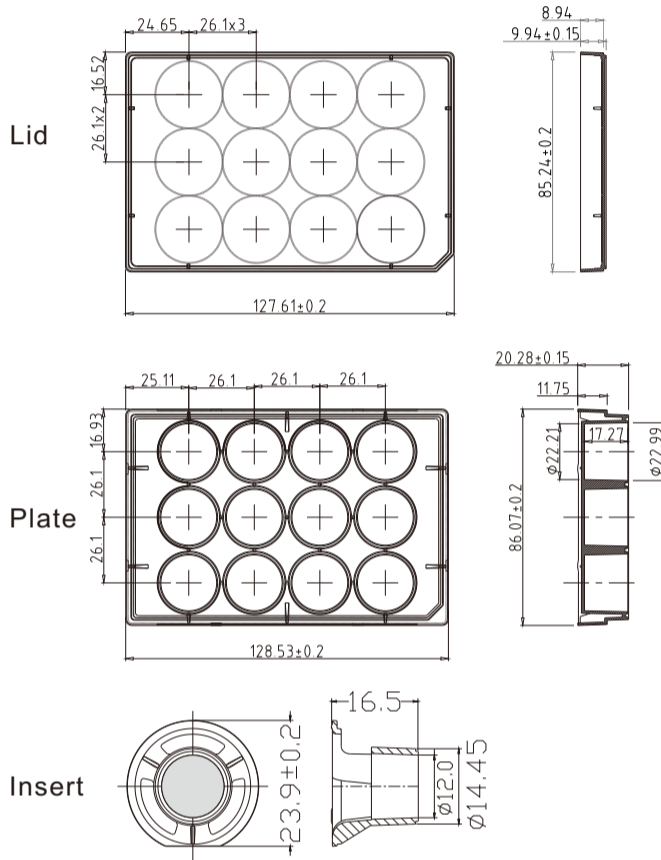
VWR EU EAN. No.	VWR NA Cat. No.	Capacity	Membrane Diameter	Pore Size (µm)	Membrane Description	Membrane Type	Growth Area	Membrane Density	Volume Added Per Plate Well	Volume Added to Inside of Plate Insert	Sterile	Packaging Configuration
734-2715	10769-176	6 well	24mm	0.1	PC	Translucent	4.67cm <sup>2</sup>	4X10 <sup>8</sup> cm <sup>2</sup>	2.6ml	1.5ml	Yes	6/PLATE 24/CS
734-2720	10769-186	6 well	24mm	0.4	PC	Translucent	4.67cm <sup>2</sup>	1X10 <sup>8</sup> cm <sup>2</sup>	2.6ml	1.5ml	Yes	6/PLATE 24/CS
734-2716	10769-178	6 well	24mm	1.0	PC	Translucent	4.67cm <sup>2</sup>	2X10 <sup>7</sup> cm <sup>2</sup>	2.6ml	1.5ml	Yes	6/PLATE 24/CS
734-2721	10769-188	6 well	24mm	3.0	PC	Transparent	4.67cm <sup>2</sup>	2X10 <sup>6</sup> cm <sup>2</sup>	2.6ml	1.5ml	Yes	6/PLATE 24/CS
734-2722	10769-190	6 well	24mm	8.0	PC	Transparent	4.67cm <sup>2</sup>	1X10 <sup>5</sup> cm <sup>2</sup>	2.6ml	1.5ml	Yes	6/PLATE 24/CS
734-2717	10769-180	6 well	24mm	12.0	PC	Transparent	4.67cm <sup>2</sup>	1X10 <sup>5</sup> cm <sup>2</sup>	2.6ml	1.5ml	Yes	6/PLATE 24/CS
734-2718	10769-182	6 well	24mm	0.1	PET	Transparent	4.67cm <sup>2</sup>	4X10 <sup>8</sup> cm <sup>2</sup>	2.6ml	1.5ml	Yes	6/PLATE 24/CS
734-2723	10769-192	6 well	24mm	0.4	PET	Translucent	4.67cm <sup>2</sup>	1X10 <sup>8</sup> cm <sup>2</sup>	2.6ml	1.5ml	Yes	6/PLATE 24/CS
734-2719	10769-184	6 well	24mm	1.0	PET	Translucent	4.67cm <sup>2</sup>	2X10 <sup>7</sup> cm <sup>2</sup>	2.6ml	1.5ml	Yes	6/PLATE 24/CS
734-2724	10769-194	6 well	24mm	3.0	PET	Transparent	4.67cm <sup>2</sup>	2X10 <sup>6</sup> cm <sup>2</sup>	2.6ml	1.5ml	Yes	6/PLATE 24/CS
734-2725	10769-196	6 well	24mm	8.0	PET	Transparent	4.67cm <sup>2</sup>	1X10 <sup>5</sup> cm <sup>2</sup>	2.6ml	1.5ml	Yes	6/PLATE 24/CS

※ For Translucent membranes, cells can be observed by fluorescence microscopy after dyeing.



### VWR® 12 Well Tissue Culture Plate Insert

**Description:** 12 Well Tissue Culture Plate Insert, Sterilized  
**Purpose:** All inserts are treated for optimal cell attachment  
**Materials**  
 Plate: GPPS (General polystyrene) Colour: Clear  
 Lid: GPPS (General polystyrene) Colour: Clear  
 Insert: GPPS (General polystyrene) Colour: Clear



#### Features

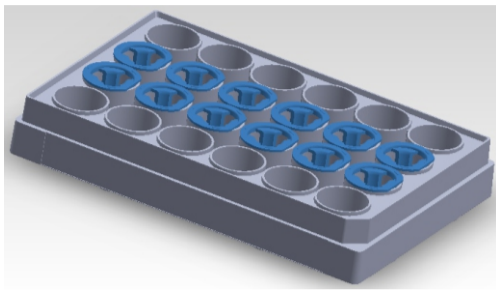
- Available in individual recyclable PET
- Temperature range: -20°C to +50°C
- Autoclavability: No
- Non-pyrogenic
- Sterilized by gamma irradiation SAL10<sup>-6</sup> (ISO11137)
- The plate inserts are sterile and assembled with 12 well plate and resist most fixing and staining agents.
- Shelf life: 3 years after month of production
- Manufactured in a class 100,000 room environment
- Manufactured under ISO13485:2016 and ISO9001:2015 quality management system



### VWR® 12 Well Tissue Culture Plate Insert

VWR EU EAN. No.	VWR NA Cat. No.	Capacity	Membrane Diameter	Pore Size (µm)	Membrane Description	Membrane Type	Growth Area	Membrane Density	Volume Added Per Plate Well	Volume Added to Inside of Plate Insert	Sterile	Packaging Configuration
734-2726	10769-198	12 well	12mm	0.1	PC	Translucent	1.12cm <sup>2</sup>	4X10 <sup>6</sup> cm <sup>2</sup>	1.5ml	0.5ml	Yes	12/PLATE 48/CS
734-2731	10769-208	12 well	12mm	0.4	PC	Translucent	1.12cm <sup>2</sup>	1X10 <sup>6</sup> cm <sup>2</sup>	1.5ml	0.5ml	Yes	12/PLATE 48/CS
734-2727	10769-200	12 well	12mm	1.0	PC	Translucent	1.12cm <sup>2</sup>	2X10 <sup>7</sup> cm <sup>2</sup>	1.5ml	0.5ml	Yes	12/PLATE 48/CS
734-2732	10769-210	12 well	12mm	3.0	PC	Transparent	1.12cm <sup>2</sup>	2X10 <sup>6</sup> cm <sup>2</sup>	1.5ml	0.5ml	Yes	12/PLATE 48/CS
734-2733	10769-212	12 well	12mm	8.0	PC	Transparent	1.12cm <sup>2</sup>	1X10 <sup>5</sup> cm <sup>2</sup>	1.5ml	0.5ml	Yes	12/PLATE 48/CS
734-2728	10769-202	12 well	12mm	12.0	PC	Transparent	1.12cm <sup>2</sup>	1X10 <sup>5</sup> cm <sup>2</sup>	1.5ml	0.5ml	Yes	12/PLATE 48/CS
734-2729	10769-204	12 well	12mm	0.1	PET	Transparent	1.12cm <sup>2</sup>	4X10 <sup>6</sup> cm <sup>2</sup>	1.5ml	0.5ml	Yes	12/PLATE 48/CS
734-2734	10769-214	12 well	12mm	0.4	PET	Translucent	1.12cm <sup>2</sup>	1X10 <sup>6</sup> cm <sup>2</sup>	1.5ml	0.5ml	Yes	12/PLATE 48/CS
734-2730	10769-206	12 well	12mm	1.0	PET	Translucent	1.12cm <sup>2</sup>	2X10 <sup>7</sup> cm <sup>2</sup>	1.5ml	0.5ml	Yes	12/PLATE 48/CS
734-2735	10769-216	12 well	12mm	3.0	PET	Transparent	1.12cm <sup>2</sup>	2X10 <sup>6</sup> cm <sup>2</sup>	1.5ml	0.5ml	Yes	12/PLATE 48/CS
734-2736	10769-218	12 well	12mm	8.0	PET	Transparent	1.12cm <sup>2</sup>	1X10 <sup>5</sup> cm <sup>2</sup>	1.5ml	0.5ml	Yes	12/PLATE 48/CS

✂ For Translucent membranes, cells can be observed by fluorescence microscopy after dyeing.



### VWR® 24 Well Tissue Culture Plate Insert

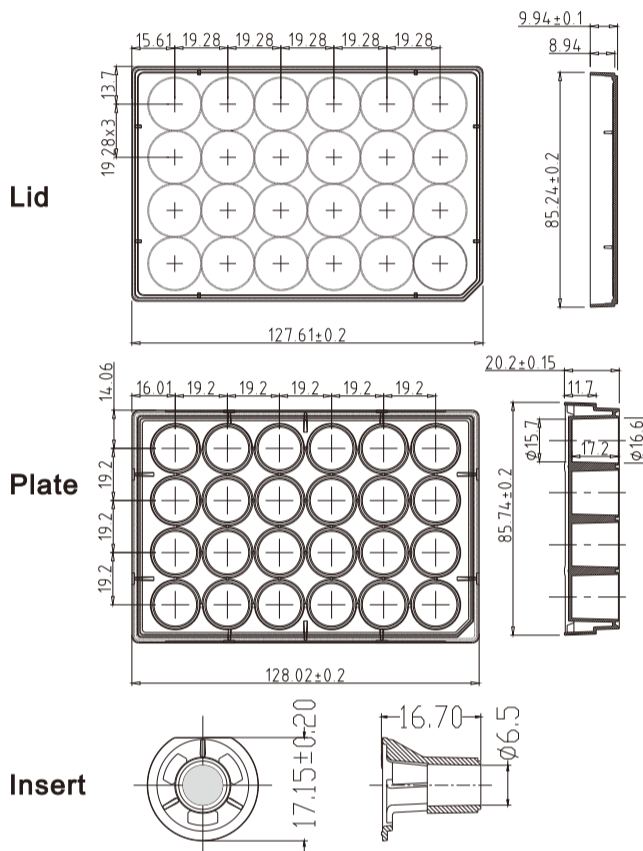
Description: 24 Well Tissue Culture Plate Insert, Sterilized  
 Purpose: All inserts are treated for optimal cell attachment

**Materials**

Plate: GPPS (General polystyrene) Colour: Clear  
 Lid: GPPS (General polystyrene) Colour: Clear  
 Insert: GPPS (General polystyrene) Colour: Clear

**Features**

- Available in individual recyclable PET
- Temperature range: -20°C to +50°C
- Autoclavability: No
- Non-pyrogenic
- Sterilized by gamma irradiation SAL10<sup>-6</sup> (ISO11137)
- The plate inserts are sterile and assembled with 24 well plate and resist most fixing and staining agents.
- Shelf life: 3 years after month of production
- Manufactured in a class 100,000 room environment
- Manufactured under ISO13485:2016 and ISO9001:2015 quality management system



### VWR® 24 Well Tissue Culture Plate Insert

VWR EU EAN. No.	VWR NA Cat. No.	Capacity	Membrane Diameter	Pore Size (µm)	Membrane Description	Membrane Type	Growth Area	Membrane Density	Volume Added Per Plate Well	Volume Added to Inside of Plate Insert	Sterile	Packaging Configuration
734-2737	10769-220	24 well	6.5mm	0.1	PC	Translucent	0.33cm <sup>2</sup>	4X10 <sup>8</sup> cm <sup>2</sup>	0.6ml	0.1ml	Yes	12/PLATE 48/CS
734-2742	10769-230	24 well	6.5mm	0.4	PC	Translucent	0.33cm <sup>2</sup>	1X10 <sup>8</sup> cm <sup>2</sup>	0.6ml	0.1ml	Yes	12/PLATE 48/CS
734-2738	10769-222	24 well	6.5mm	1.0	PC	Translucent	0.33cm <sup>2</sup>	2X10 <sup>7</sup> cm <sup>2</sup>	0.6ml	0.1ml	Yes	12/PLATE 48/CS
734-2743	10769-232	24 well	6.5mm	3.0	PC	Transparent	0.33cm <sup>2</sup>	2X10 <sup>6</sup> cm <sup>2</sup>	0.6ml	0.1ml	Yes	12/PLATE 48/CS
734-2745	10769-236	24 well	6.5mm	5.0	PC	Transparent	0.33cm <sup>2</sup>	4X10 <sup>5</sup> cm <sup>2</sup>	0.6ml	0.1ml	Yes	12/PLATE 48/CS
734-2744	10769-234	24 well	6.5mm	8.0	PC	Transparent	0.33cm <sup>2</sup>	1X10 <sup>5</sup> cm <sup>2</sup>	0.6ml	0.1ml	Yes	12/PLATE 48/CS
734-2739	10769-224	24 well	6.5mm	12.0	PC	Transparent	0.33cm <sup>2</sup>	1X10 <sup>5</sup> cm <sup>2</sup>	0.6ml	0.1ml	Yes	12/PLATE 48/CS
734-2740	10769-226	24 well	6.5mm	0.1	PET	Transparent	0.33cm <sup>2</sup>	4X10 <sup>8</sup> cm <sup>2</sup>	0.6ml	0.1ml	Yes	12/PLATE 48/CS
734-2746	10769-238	24 well	6.5mm	0.4	PET	Translucent	0.33cm <sup>2</sup>	1X10 <sup>8</sup> cm <sup>2</sup>	0.6ml	0.1ml	Yes	12/PLATE 48/CS
734-2741	10769-228	24 well	6.5mm	1.0	PET	Translucent	0.33cm <sup>2</sup>	2X10 <sup>7</sup> cm <sup>2</sup>	0.6ml	0.1ml	Yes	12/PLATE 48/CS
734-2747	10769-240	24 well	6.5mm	3.0	PET	Transparent	0.33cm <sup>2</sup>	2X10 <sup>6</sup> cm <sup>2</sup>	0.6ml	0.1ml	Yes	12/PLATE 48/CS
734-2748	10769-242	24 well	6.5mm	8.0	PET	Transparent	0.33cm <sup>2</sup>	1X10 <sup>5</sup> cm <sup>2</sup>	0.6ml	0.1ml	Yes	12/PLATE 48/CS

✂ For Translucent membranes, cells can be observed by fluorescence microscopy after dyeing.