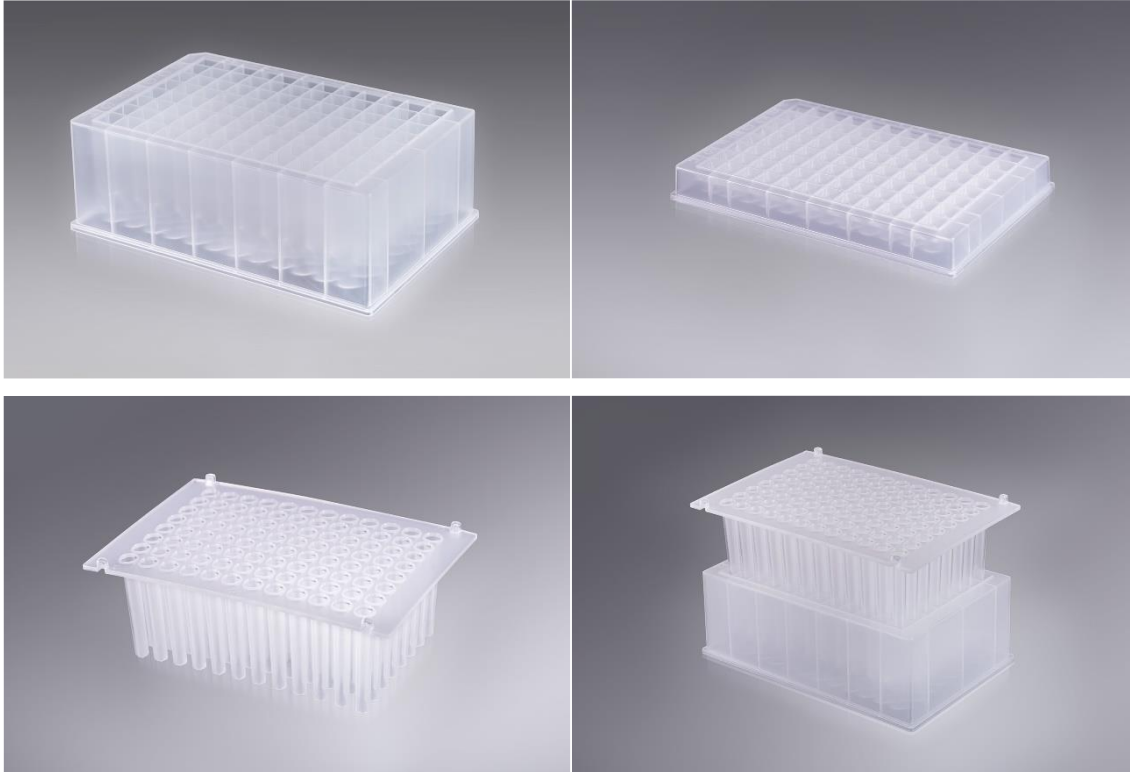


# Technical data sheet

## Contents

Plate SRW Magnetic.....	2
Plate Medio.....	4
Plate Round Well .....	6
Plate Square Well.....	8

**Description**
**Plate SRW Magnetic**

**Features**

- Standard SBS footprint
- High stability during centrifugation
- Cylindrical wells enable good sample mixing
- Slightly raised rims reduce the risk of cross-contamination
- Alphanumeric code assists registration and identification of individual samples

**Plates**

VWR Catalog Number	Volume	Colour	Packed	Pk
<b>43001-0504</b>	2 mL	Clear	10 x 6	60
<b>43001-0506</b>	0.2 mL	Clear	4 x 15	60

**Tip comb**

VWR Catalog Number	Volume	Colour	Packed	Pk
<b>43001-0505</b>	NA	Clear	30 x 2	60

**Material**

Plate: PP

## Technical drawing and measurements

VWR Catalog Number	Plate dimensions		
	Length (mm)	Width (mm)	Height (mm)
<b>43001-0504</b>	127.6	85.3	44.0
<b>43001-0506</b>	127.8	85.5	14.7
<b>43001-0505</b>	127.8	85.5	48.0

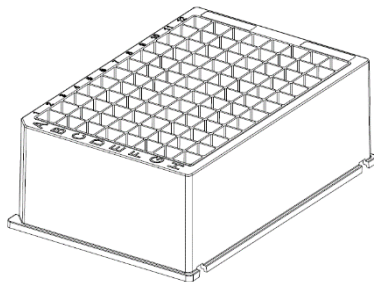


Figure 1: 96 plate 2 mL with V-bottom

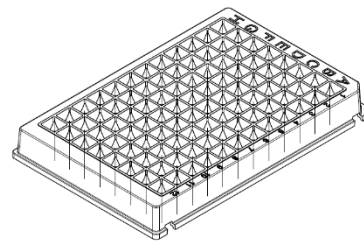


Figure 2: 96 plate 0.2 mL with V-bottom

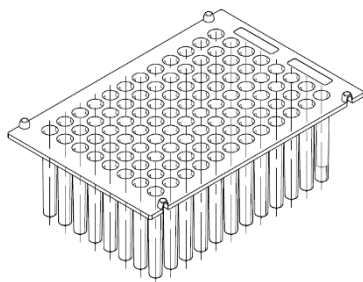


Figure 3: Tip comb

**Description**

**Plate Medio**



**Features**

- Alphanumeric code to assist identification and registration of single samples
- Due to the tangency of wells J.T.Baker® Plate Medio plates, less than 50% stacking space is needed
- Higher well rims allow an airtight seal
- Conical wells aid sample mixing

**Plates**

VWR Catalog Number	Volume	Colour	Packed	Pk
<b>43001-0101</b>	1 ml	Transparent	4 x 8	32
<b>43001-0102</b>	0,5 ml	Transparent	4 x 10	40
<b>43001-0103</b>	2 ml	Transparent	4 x 5	20

**Material**

Plate: PP

**Technical drawing and measurements**

VWR Catalog Number	Plate dimensions		
	Length (mm)	Width (mm)	Height (mm)
<b>43001-0101</b>	127.76	85.48	27.00
<b>43001-0102</b>	127.76	85.48	20.50
<b>43001-0103</b>	127.76	85.48	44.00

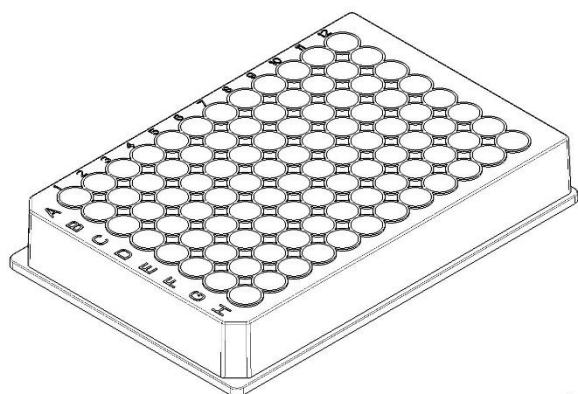


Figure 4: 96 plate 0.5 mL

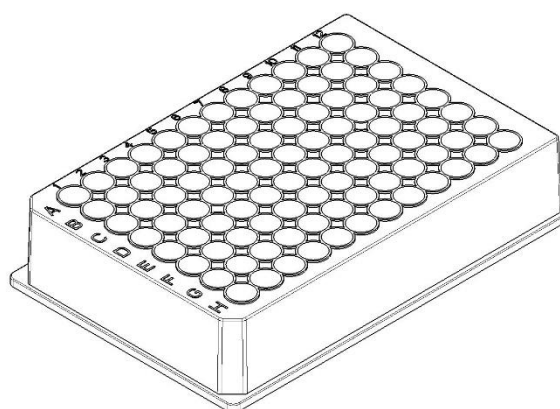


Figure 5: 96 plate 1 mL

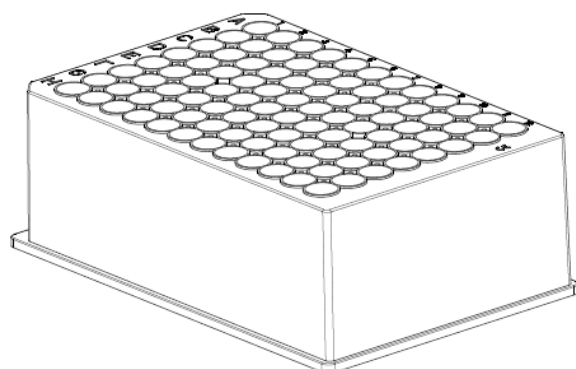


Figure 6: 96 plate 2 mL

**Description**
**Plate Round Well**

**Features**

- Also available rimless to allow insertion of vials, ideal for insertion of vials or use with adhesive seals
- Round bottom for optimal mixing and recovery
- Suitable for use with automated sample handling systems
- Can be stored at  $-80\text{ }^{\circ}\text{C}$  (PP version only)

**Plates**

VWR Catalog Number	Volume	Colour	Packed	Pk
<b>43001-0016</b>	1,0 ml	Transparent	4 x 5	20
<b>43001-0010</b>	1,0 ml	Clear	4 x 5	20

**Material**

Plate: 43001-0016 – PP  
43001-0010 - PS

**Technical drawing and measurements**

VWR Catalog Number	Plate dimensions		
	Length (mm)	Width (mm)	Height (mm)
<b>43001-0016</b>	127.76	85.48	44.00
<b>43001-0010</b>	127.76	85.48	44.00

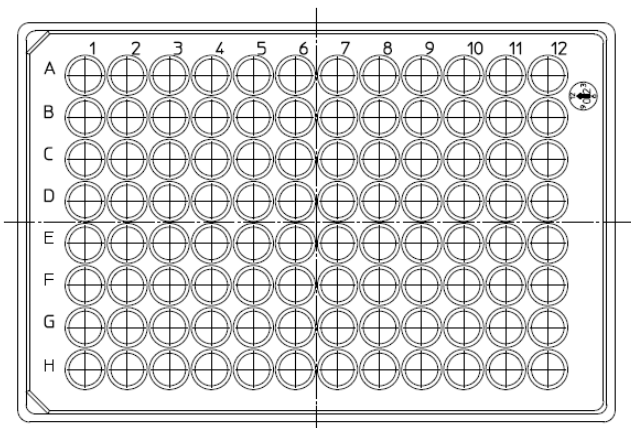
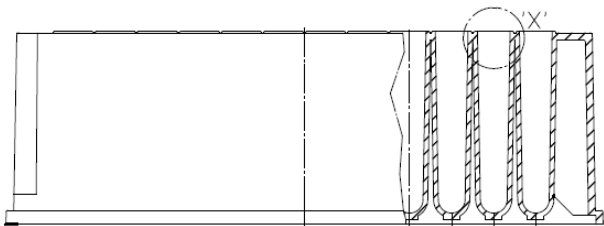


Figure 7: 96 plate

**Description**
**Plate Square Well**

**Features**

- Chemical resistant
- V-bottom well shape maximises liquid removal and aids resuspension
- No inner edges to interfere with magnetic bead collection
- Raised well rims to improve heat sealing
- Conical base aids sample concentration, reconstitution and centrifugation

**Plates**

VWR Catalog Number	Description	Volume	Colour	Packed	Pk
<b>43001-0066</b>	24-well plate	10.0 mL	Transparent	4 x 5	20
<b>43001-0062</b>	48-well plate	5.0 mL	Transparent	4 x 5	20
<b>43001-0020</b>	96-well plate	2.0 mL	Transparent	4 x 5	20

**Material**

Plate: PP

**Technical drawing and measurements**

VWR Catalog Number	Plate dimensions		
	Length (mm)	Width (mm)	Height (mm)
<b>43001-0066</b>	127.76	85.48	44.00
<b>43001-0062</b>	127.76	85.48	44.00
<b>43001-0020</b>	127.76	85.48	44.00



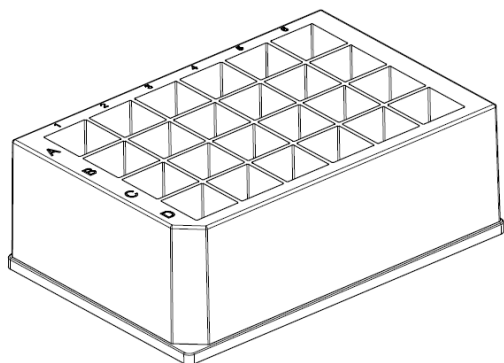


Figure 10: 24-well plate

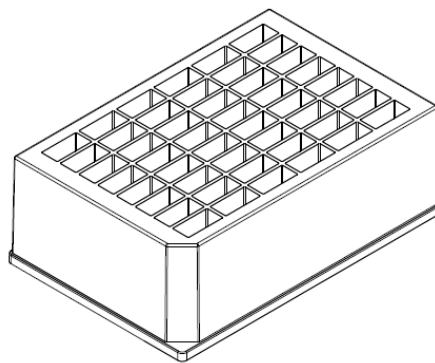


Figure 11: 48-well plate

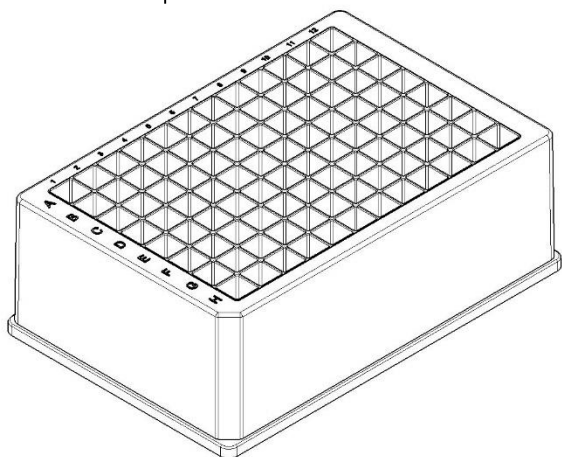


Figure 12: 96-well plate