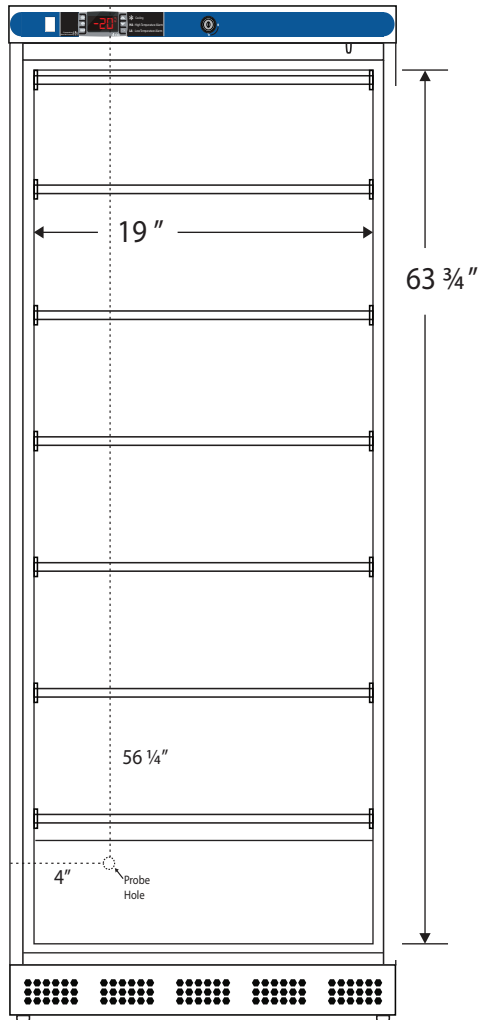


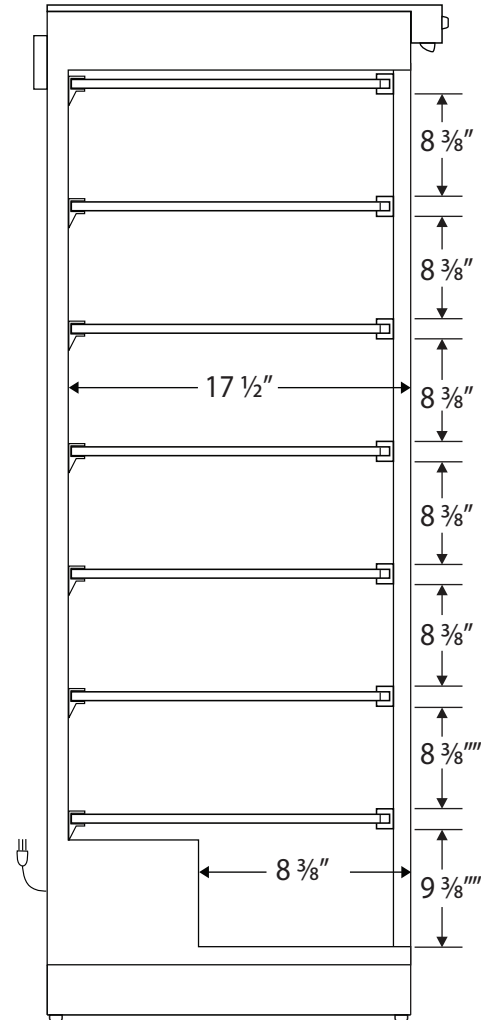
## Interior



Front View



Side View


 115VAC/60Hz/1PH  
 NEMA-5-15P

**Cat# 76579-142/VWR-HC-FFP-14**

Cu.Ft.	Defrost	Door	Int Door	Shelves	W"	D"	H"	Refrigerant	H.P.	Amps	Weight
14	Manual	1 Solid	0	6 Fixed	19	17 1/2	63 3/4	R290	1/3	3.5	165 lbs.