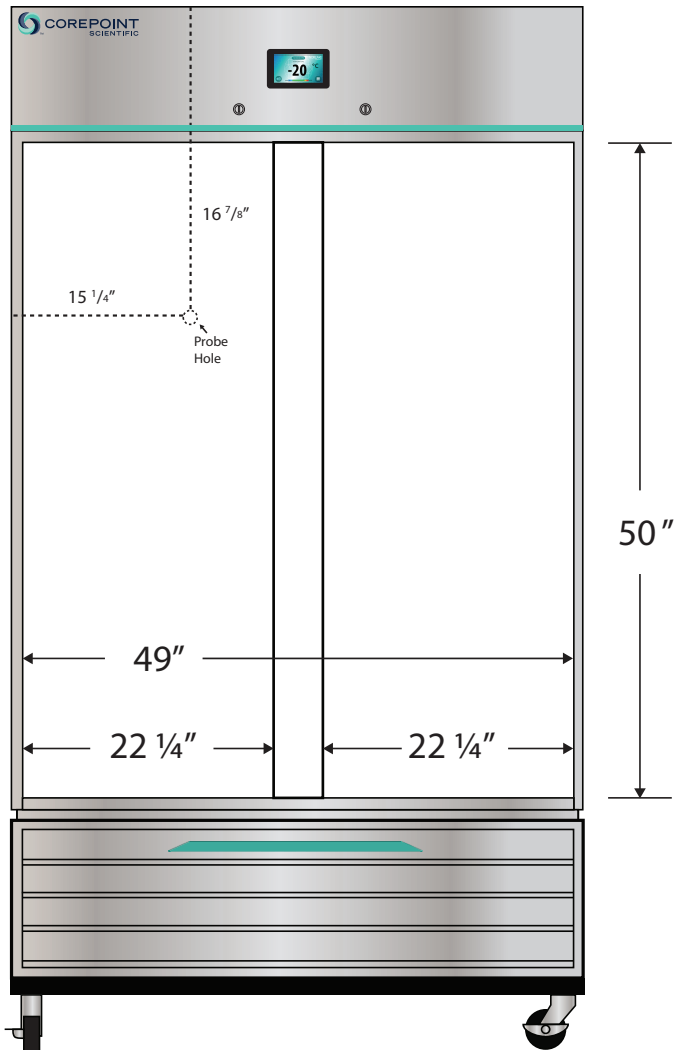
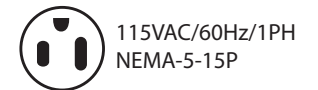
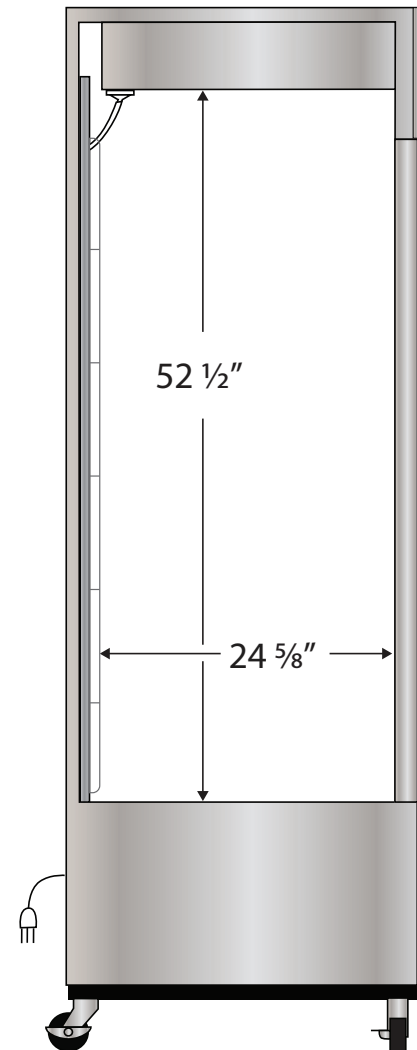


Front View



Side View



Cu. Ft	Defrost	Door	Int Door	Shelves	Interior Dim.			Refrigerant	H.P.	Amps	Weight
					W"	D"	H"				
49	Auto	2 Solid	0	10 Adj	49	24 5/8	52 1/2	R290	3/4	9	450 lbs.

Note: Interior dimensions are estimates and subject to change without notice