



## VWR® 225ml Centrifuge Bottles

Description: 225mL, Conical Centrifuge Bottle, Plug Seal Cap, Sterilized

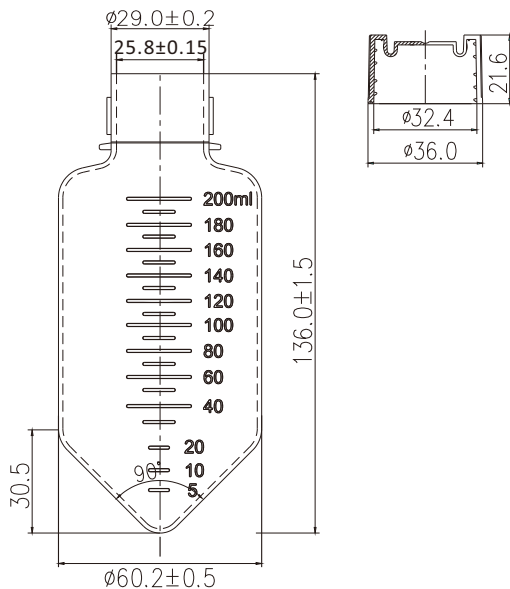
Purpose: Centrifuge bottles are popular in samples centrifuging or storage in many research area

**Materials:**

Bottle: PP(Polypropylene), Compliance with USP Class VI

Cap: HDPE(High Density Polyethylene), Compliance with USP Class VI

**Dimensions ( Unit: mm)**



**Features**

- Made from high grade gamma resistance polypropylene
- Plug seal cap made with polyethylene
- Meet the requirements of BSE/TSE
- Latex Statement: this product is latex free
- Engraved graduation
- Max RCF up to 7,500xg
- D/RNaseNase free and non-pyrogenic
- Sterilized by irradiation SAL10<sup>-6</sup> (ISO11137)
- Shelf Life: 3 years after month of production
- Manufactured in a Class 100,000 cleanroom environment
- Manufactured under ISO13485 and ISO9001 quality management system

**225mL Centrifuge Bottle Cushion**

| No. | Brand name | Cat. No. |
|-----|------------|----------|
| 1   | Falcon     | 352090   |



## VWR® 225mL Centrifuge Bottles

| VWR EU EAN. No. | VWR NA Cat. No. | Capacity (mL) | Maximum RCF | Bottle Color | Cap Color | Cap Shape     | Bottle Shape   | Sterile | Packaging Configuration     |
|-----------------|-----------------|---------------|-------------|--------------|-----------|---------------|----------------|---------|-----------------------------|
| 525-1300        | 76234-748       | 225mL         | 7,500g      | Clear        | White     | Plug Seal cap | Conical-Bottom | Yes     | 6/Bag, 48/CS                |
| 525-1438        |                 | 225mL         | 7,500g      | Clear        | White     | Plug Seal cap | Conical-Bottom | Yes     | Individually wrapped, 24/CS |



## VWR® 250ml Centrifuge Bottles

Description: 250mL, Conical Centrifuge Bottle, Plug Seal Cap, Sterilized

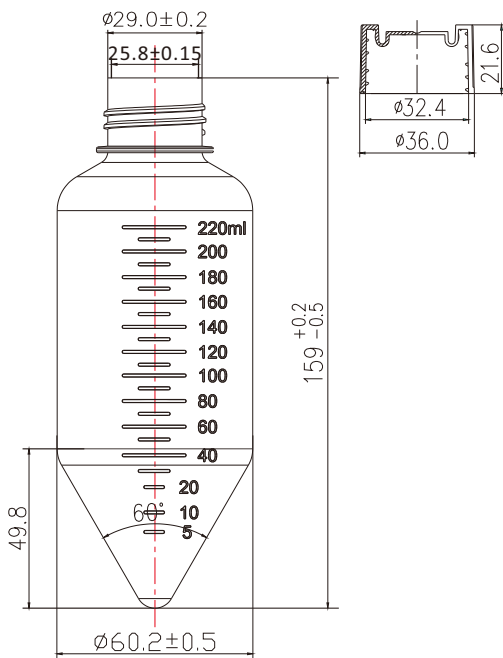
Purpose: Centrifuge bottles are popular in samples centrifuging or storage in many research area

**Materials:**

Bottle: PP(Polypropylene), Compliance with USP Class VI

Cap: HDPE(High Density Polyethylene), Compliance with USP Class VI

**Dimensions ( Unit: mm)**



**Features**

- Made from high grade gamma resistance polypropylene
- Plug seal cap made with polyethylene
- Meet the requirements of BSE/TSE
- Latex Statement: this product is latex free
- Engraved graduation
- Max RCF up to 7,500xg
- D/RNaseNase free and non-pyrogenic
- Sterilized by irradiation SAL10<sup>-6</sup> (ISO11137)
- Shelf Life: 3 years after month of production
- Manufactured in a Class 100,000 cleanroom environment
- Manufactured under ISO13485 and ISO9001 quality management system

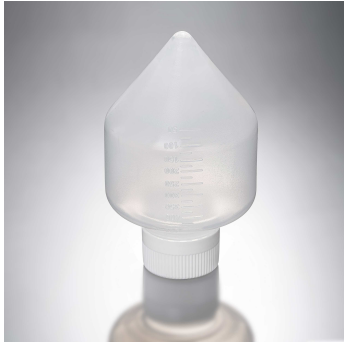
**250mL Centrifuge Bottle Cushion**

| No. | Brand name | Cat. No. |
|-----|------------|----------|
| 1   | Corning    | 430236   |



## VWR® 250mL Centrifuge Bottles

| VWR EU EAN. No. | VWR NA Cat. No. | Capacity (mL) | Maximum RCF | Bottle Color | Cap Color | Cap Shape     | Bottle Shape   | Sterile | Packaging Configuration |
|-----------------|-----------------|---------------|-------------|--------------|-----------|---------------|----------------|---------|-------------------------|
| 525-1597        | 76234-744       | 250mL         | 7,500g      | Clear        | White     | Plug Seal cap | Conical-Bottom | Yes     | 6/Bag, 48/CS            |



## VWR® 500ml Centrifuge Bottles

Description: 500mL, Conical Centrifuge Bottle, Flat Cap, Sterilized

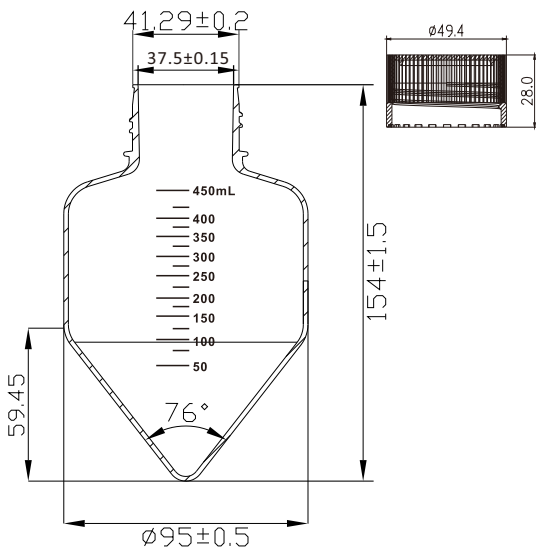
Purpose: Centrifuge bottles are popular in samples centrifuging or storage in many research area

Materials:

Bottle: PP(Polypropylene), Compliance with USP Class VI

Cap: HDPE(High Density Polyethylene), Compliance with USP Class VI

Dimensions (Unit: mm)



Features

- Made from high grade gamma resistance polypropylene
- Flat cap made with polyethylene
- Meet the requirements of BSE/TSE
- Latex Statement: this product is latex free
- Engraved graduation
- Max RCF up to 6,000xg
- D/RNaseNase free and non-pyrogenic
- Sterilized by irradiation SAL10<sup>-6</sup> (ISO11137)
- Shelf Life: 3 years after month of production
- Manufactured in a Class 100,000 cleanroom environment
- Manufactured under ISO13485 and ISO9001 quality management system

500mL Centrifuge Bottle Cushion

| No. | Brand name | Cat. No. |
|-----|------------|----------|
| 1   | Corning    | 431124   |



## VWR® 500mL Centrifuge Bottles

| VWR EU EAN. No. | VWR NA Cat. No. | Capacity (mL) | Maximum RCF | Bottle Color | Cap Color | Cap Shape | Bottle Shape   | Sterile | Packaging Configuration |
|-----------------|-----------------|---------------|-------------|--------------|-----------|-----------|----------------|---------|-------------------------|
| 525-1598        | 76234-746       | 500mL         | 6000g       | Clear        | White     | Flat cap  | Conical-Bottom | Yes     | 6/Bag, 36/CS            |