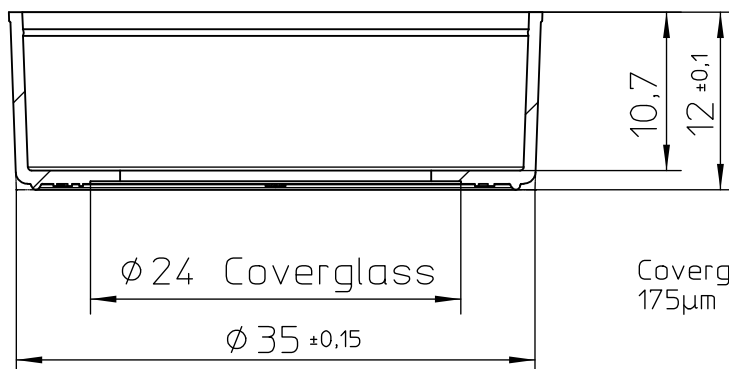
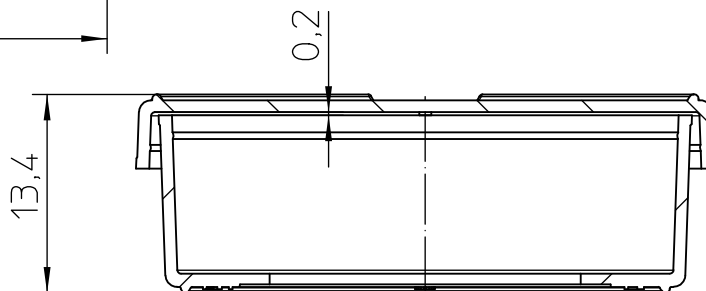
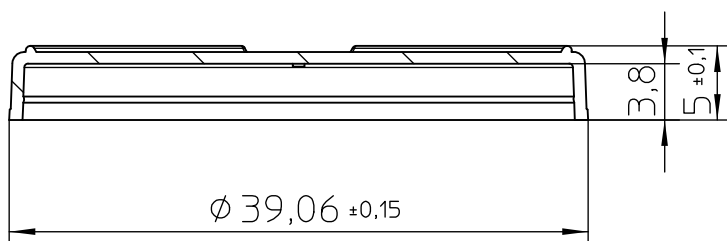
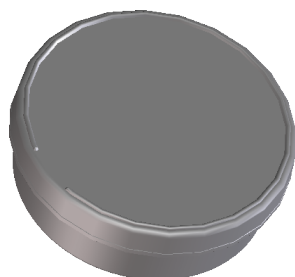




Valid for Item-No.: 627860, 627861, 627965



Coverglass Thickness  
 $175\mu\text{m} \pm 15 \mu\text{m}$

Only layout change, no design change of the product.  
Prior drawing No. AC-627860/ 627861/ 627965/ Rev 02/ June 18, 2009

"All dimensions in mm"

Customer drawing subject to change without notice!

Uncontrolled Copy

Prior Issue	Drawn	Approved	Released	CONFIDENTIAL: Information contained in this document or drawing is confidential and proprietary to Greiner Bio-One GmbH. This document may not be reproduced for any reason without written permission from Greiner Bio-One GmbH. All rights of design, invention, and copyright are reserved.
Revision	Date 2011/05/18	Date 2011/05/18	Date 2011/05/18	
Date	Name falter	Name falter	Name sonntag	