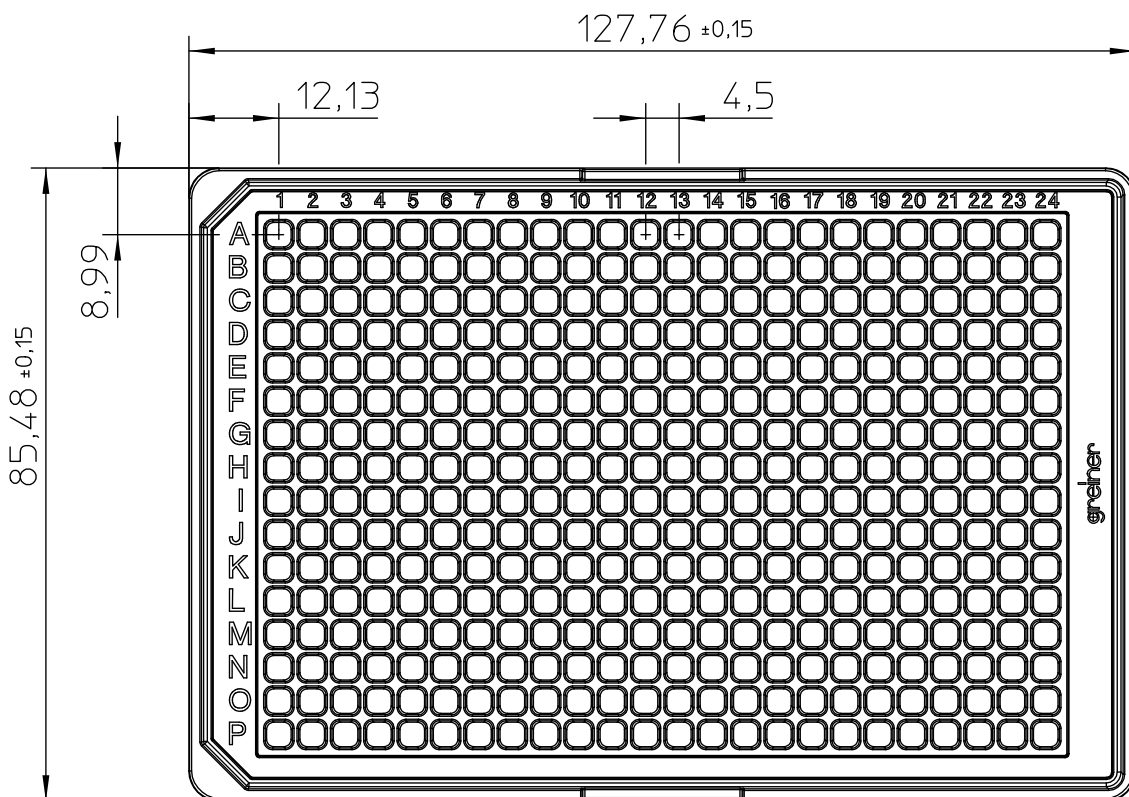
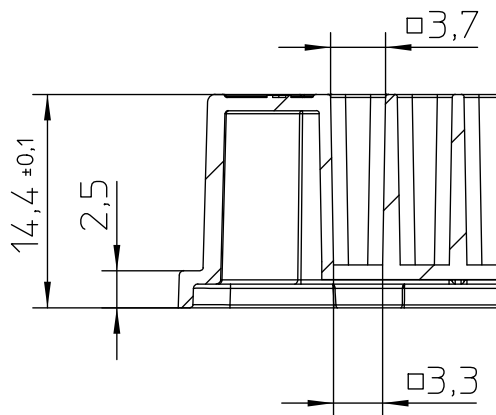




Valid for Item-No.: 781900, 781901, 781904,



"All dimensions in mm"

Customer drawing subject to change without notice!

Uncontrolled Copy

| Prior Issue        | Drawn              | Approved           | Released           | CONFIDENTIAL: Information contained in this document or drawing is confidential and proprietary to Greiner Bio-One GmbH. This document may not be reproduced for any reason without written permission from Greiner Bio-One GmbH. All rights of design, invention, and copyright are reserved. |
|--------------------|--------------------|--------------------|--------------------|--|
| Revision<br>1      | Date<br>2011/08/30 | Date<br>2013/06/24 | Date<br>2013/06/24 |  |
| Date<br>2011/08/30 | Name<br>falter     | Name<br>schwarzj   | Name<br>sonntag    |  |