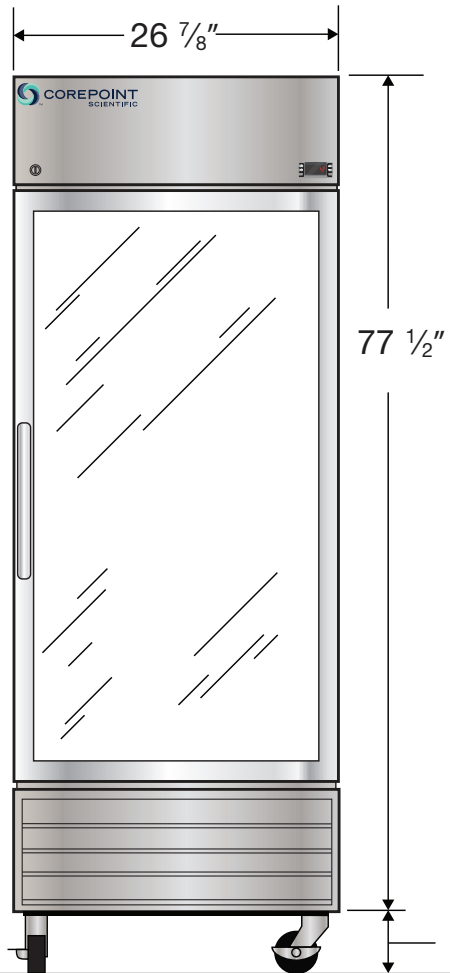
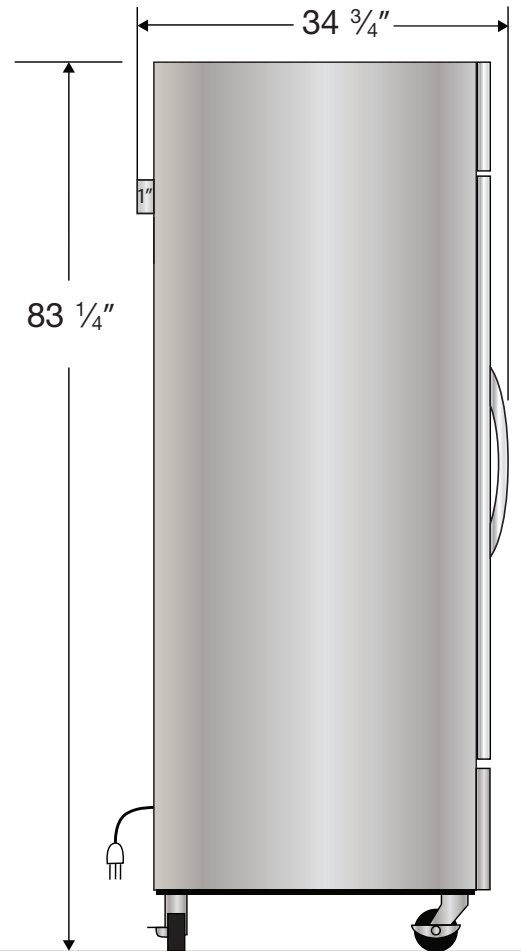


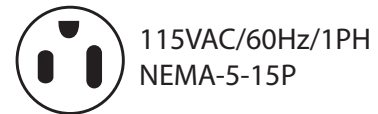
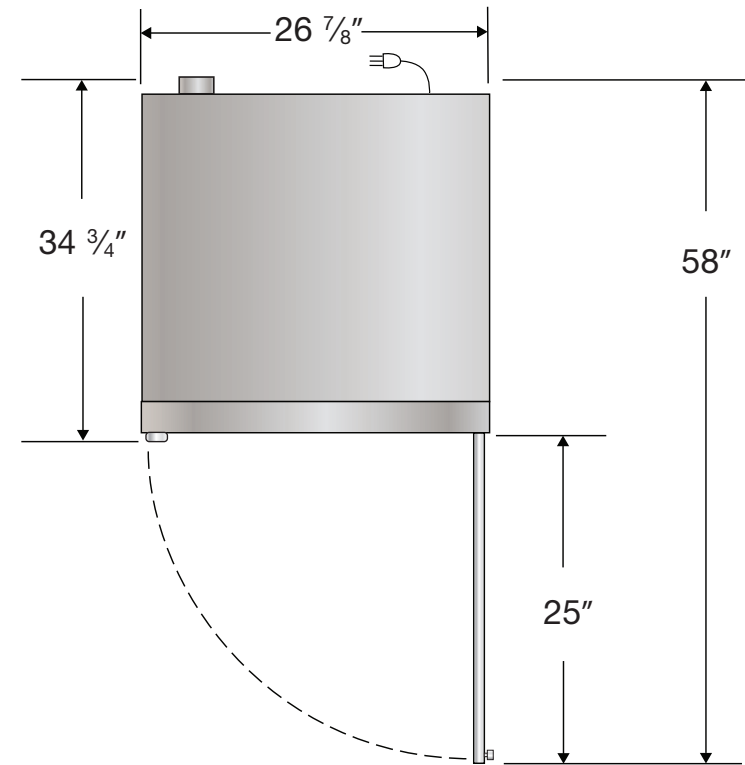
Front View



Side View



Top View



Cu. Ft	Defrost	Door	Int Door	Shelves	W"	D"	H"	Refrigerant	H.P.	Amps	Weight
23	Cycle	1 Glass	0	4 Adj	26 ⁷ / ₈	34 ³ / ₄	83 ¹ / ₄	R290	¹ / ₅	3	325 lbs.