



## VWR® 25mL Cell Attachment Treated Tissue Culture Flasks

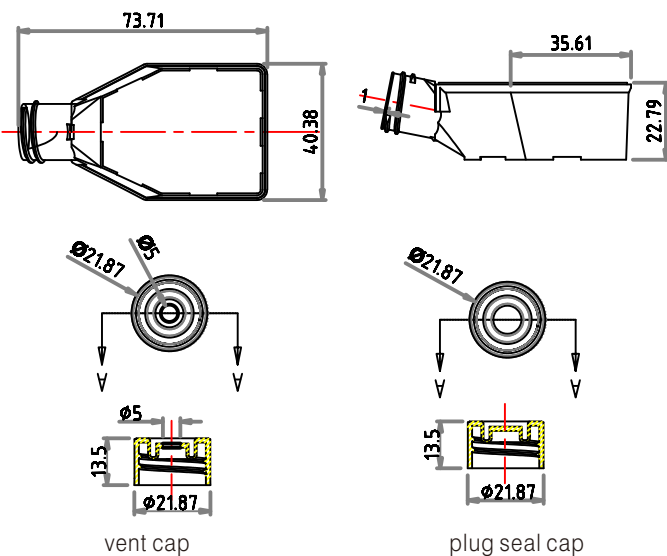
Description: 25mL, Treated for Increased Cell Attachment, w/plug seal cap, Sterilized  
 25mL, Treated for Increased Cell Attachment, w/vent cap, Sterilized

Purpose: An innovative surface rendering it more hydrophilic and increasing surface stability

### Materials

Flask: GPPS ( General polystyrene ) Color: Clear  
 Cap: HDPE( High Density Polyethylene ) Color: Marine Blue  
 Membrane: 0.22µm Hydrophobic PP ( Only use for Vent Cap )

### Dimensions ( Unit: mm)



### Features

- Temperature: -20°C~+50°C
- Sterilized by irradiation SAL10<sup>-6</sup> (ISO11137)
- Latex Statement: this product is latex free
- Non-pyrogenic
- Bulk packed in zip-Lock bag
- Autoclavability: No
- Maximum working volume: 8 mL
- Recommended working volume: 3 mL
- Growth area: 12.5 cm<sup>2</sup>
- Every product is printed with a batch number for traceability
- Shelf Life: 3 years after month of production
- Manufactured in a Class 100,000 cleanroom environment
- Manufactured under ISO13485 and ISO9001 quality management system



## VWR® 25mL Cell Attachment Treated Tissue Culture Flasks

VWR EU Cat. No.	VWR NA Cat. No.	Description	Sterile	Qty/Bag	Qty/Pk	Qty/Case
734-2804	10861-670	25mL, Treated for Increased Cell Attachment, w/plug seal cap, Sterilized	Yes	10	50	200
734-2805	10861-672	25mL, Treated for Increased Cell Attachment, w/vent cap, Sterilized	Yes	10	50	200



## VWR® 50mL Cell Attachment Treated Tissue Culture Flasks

Description: 50mL, Treated for Increased Cell Attachment, w/plug seal cap, Sterilized  
50mL, Treated for Increased Cell Attachment, w/vent cap, Sterilized

Purpose: An innovative surface rendering it more hydrophilic and increasing surface stability

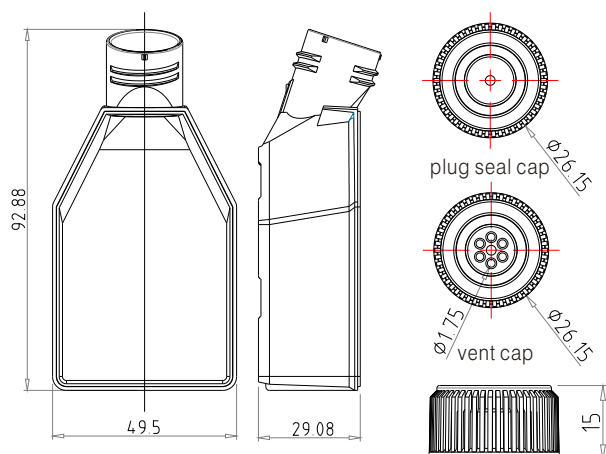
### Materials

Flask: GPPS ( General polystyrene ) Color: Clear

Cap: HDPE( High Density Polyethylene ) Color: Marine Blue

Membrane: 0.22µm Hydrophobic PP ( Only use for Vent Cap )

Dimensions ( Unit: mm)



### Features

- Temperature: -20°C~+50°C
- Sterilized by irradiation SAL10<sup>-6</sup> (ISO11137)
- Latex Statement: this product is latex free
- Non-pyrogenic
- Bulk packed in zip-Lock bag
- Autoclavability: No
- Maximum working volume: 17.5 mL
- Recommended working volume: 6.25 mL
- Growth area: 25.0 cm<sup>2</sup>
- Every product is printed with a batch number for traceability
- Shelf Life: 3 years after month of production
- Manufactured in a Class 100,000 cleanroom environment
- Manufactured under ISO13485 and ISO9001 quality management system



## VWR® 50mL Cell Attachment Treated Tissue Culture Flasks

VWR EU Cat. No.	VWR NA Cat. No.	Description	Sterile	Qty/Bag	Qty/Pk	Qty/Case
734-2806	10861-640	50mL, Treated for Increased Cell Attachment, w/plug seal cap, Sterilized	Yes	10	50	200
734-2807	10861-642	50mL, Treated for Increased Cell Attachment, w/vent cap, Sterilized	Yes	10	50	200



## VWR® 250mL Cell Attachment Treated Tissue Culture Flasks

Description: 250mL, Treated for Increased Cell Attachment, w/plug seal cap, Sterilized  
 250mL, Treated for Increased Cell Attachment, w/vent cap, Sterilized

Purpose: An innovative surface rendering it more hydrophilic and increasing surface stability

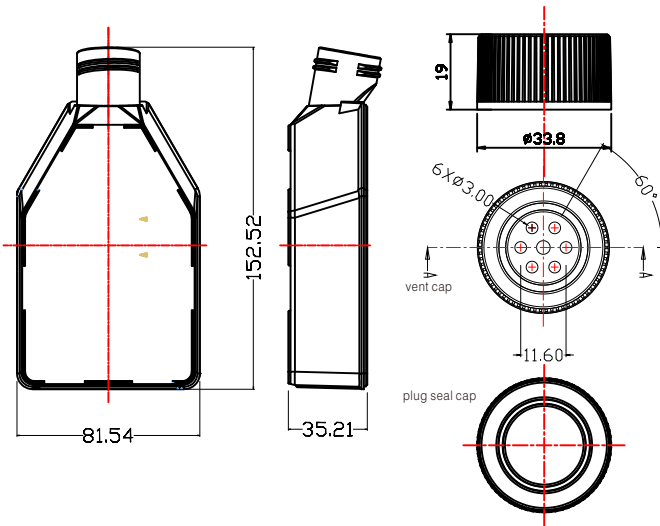
### Materials

Flask: GPPS ( General polystyrene ) Color: Clear

Cap: HDPE( High Density Polyethylene ) Color: Marine Blue

Membrane: 0.22µm Hydrophobic PP ( Only use for Vent Cap )

Dimensions ( Unit: mm)



### Features

- Temperature: -20°C~+50°C
- Sterilized by irradiation SAL10<sup>-6</sup> (ISO11137)
- Latex Statement: this product is latex free
- Non-pyrogenic
- Bulk packed in zip-Lock bag
- Autoclavability: No
- Maximum working volume: 60 mL
- Recommended working volume: 18.75 mL
- Growth area: 75.0 cm<sup>2</sup>
- Every product is printed with a batch number for traceability
- Shelf Life: 3 years after month of production
- Manufactured in a Class 100,000 cleanroom environment
- Manufactured under ISO13485 and ISO9001 quality management system



## VWR® 250mL Cell Attachment Treated Tissue Culture Flasks

VWR EU Cat. No.	VWR NA Cat. No.	Description	Sterile	Qty/Bag	Qty/PK	Qty/Case
734-2808	10861-644	250mL, Treated for Increased Cell Attachment, w/plug seal cap, Sterilized	Yes	5	25	100
734-2809	10861-646	250mL, Treated for Increased Cell Attachment, w/vent cap, Sterilized	Yes	5	25	100



## VWR® 600mL Cell Attachment Treated Tissue Culture Flasks

Description: 600mL, Treated for Increased Cell Attachment, w/plug seal cap, Sterilized  
600mL, Treated for Increased Cell Attachment, w/vent cap, Sterilized

Purpose: An innovative surface rendering it more hydrophilic and increasing surface stability

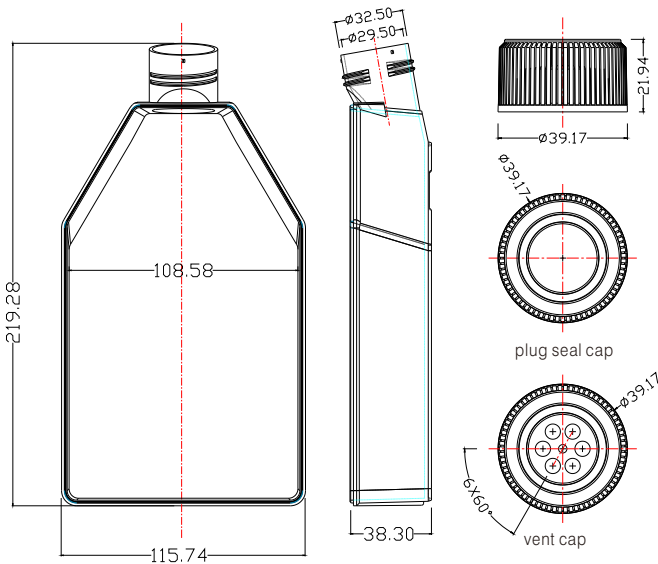
### Materials

Flask: GPPS ( General polystyrene ) Color: Clear

Cap: HDPE( High Density Polyethylene ) Color: Marine Blue

Membrane: 0.22µm Hydrophobic PP ( Only use for Vent Cap )

Dimensions ( Unit: mm)



### Features

- Temperature: -20°C~+50°C
- Sterilized by irradiation SAL10<sup>-6</sup> (ISO11137)
- Latex Statement: this product is latex free
- Non-pyrogenic
- Bulk packed in zip-Lock bag
- Autoclavability: No
- Maximum working volume: 125 mL
- Recommended working volume: 45.5 mL
- Growth area: 182.0 cm<sup>2</sup>
- Every product is printed with a batch number for traceability
- Shelf Life: 3 years after month of production
- Manufactured in a Class 100,000 cleanroom environment
- Manufactured under ISO13485 and ISO9001 quality management system



## VWR® 600mL Cell Attachment Treated Tissue Culture Flasks

VWR EU Cat. No.	VWR NA Cat. No.	Description	Sterile	Qty/Bag	Qty/Pk	Qty/Case
734-2810	10861-648	600mL, Treated for Increased Cell Attachment, w/plug seal cap, Sterilized	Yes	5	20	40
734-2811	10861-650	600mL, Treated for Increased Cell Attachment, w/vent cap, Sterilized	Yes	5	20	40



## VWR® 850mL Cell Attachment Treated Tissue Culture Flasks

Description: 850mL, Treated for Increased Cell Attachment, w/plug seal cap, Sterilized  
850mL, Treated for Increased Cell Attachment, w/vent cap, Sterilized

Purpose: An innovative surface rendering it more hydrophilic and increasing surface stability

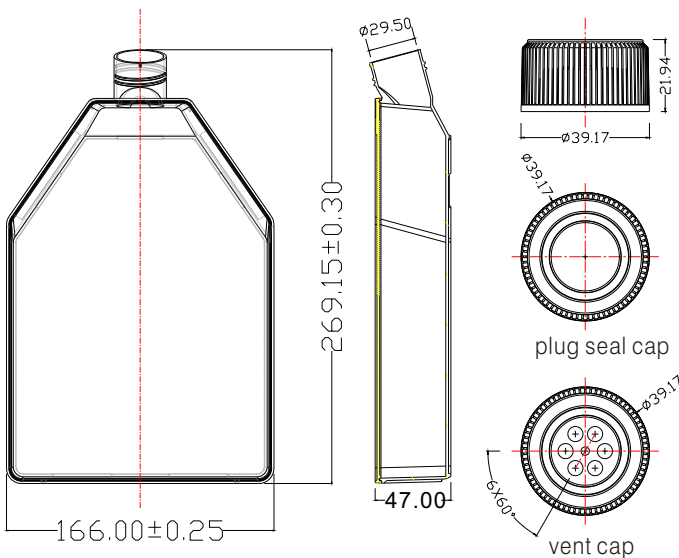
### Materials

Flask: GPPS ( General polystyrene ) Color: Clear

Cap: HDPE( High Density Polyethylene ) Color: Marine Blue

Membrane: 0.22µm Hydrophobic PP ( Only use for Vent Cap )

Dimensions ( Unit: mm)



### Features

- Temperature: -20°C~+50°C
- Sterilized by irradiation SAL10<sup>-6</sup> (ISO11137)
- Latex Statement: this product is latex free
- Non-pyrogenic
- Bulk packed in zip-Lock bag
- Autoclavability: No
- Maximum working volume: 200 mL
- Recommended working volume: 75 mL
- Growth area: 300.0 cm<sup>2</sup>
- Every product is printed with a batch number for traceability
- Shelf Life: 3 years after month of production
- Manufactured in a Class 100,000 cleanroom environment
- Manufactured under ISO13485 and ISO9001 quality management system



## VWR® 850mL Cell Attachment Treated Tissue Culture Flasks

VWR EU Cat. No.	VWR NA Cat. No.	Description	Sterile	Qty/Bag	Qty/Pk	Qty/Case
734-2812	10861-652	850mL, Treated for Increased Cell Attachment, w/plug seal cap, Sterilized	Yes	3	9	18
734-2813	10861-654	850mL, Treated for Increased Cell Attachment, w/vent cap, Sterilized	Yes	3	9	18