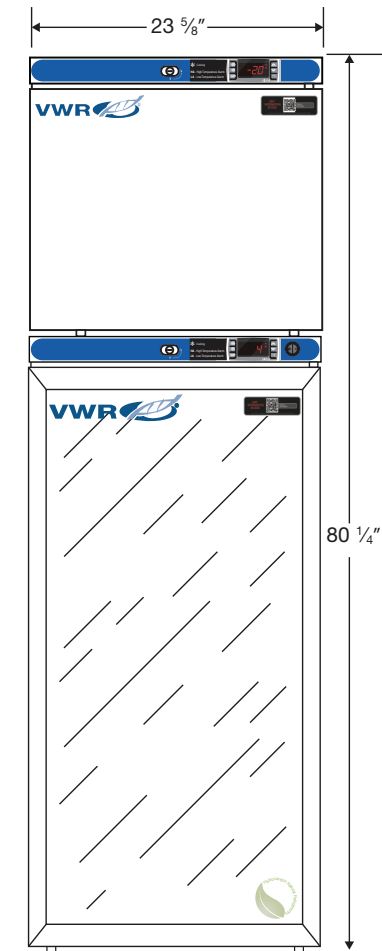


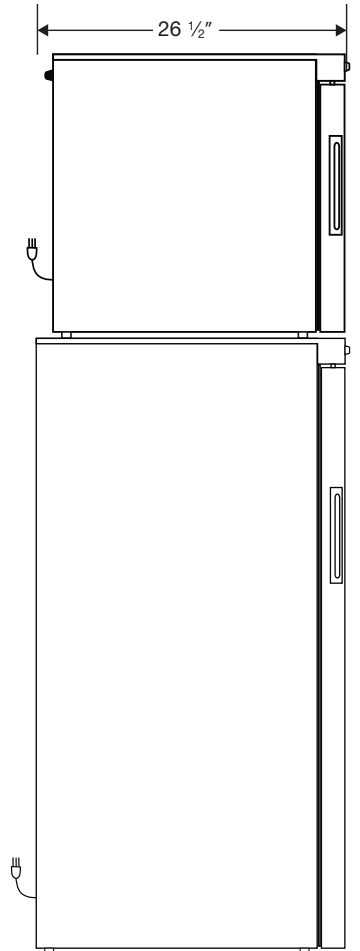
Exterior



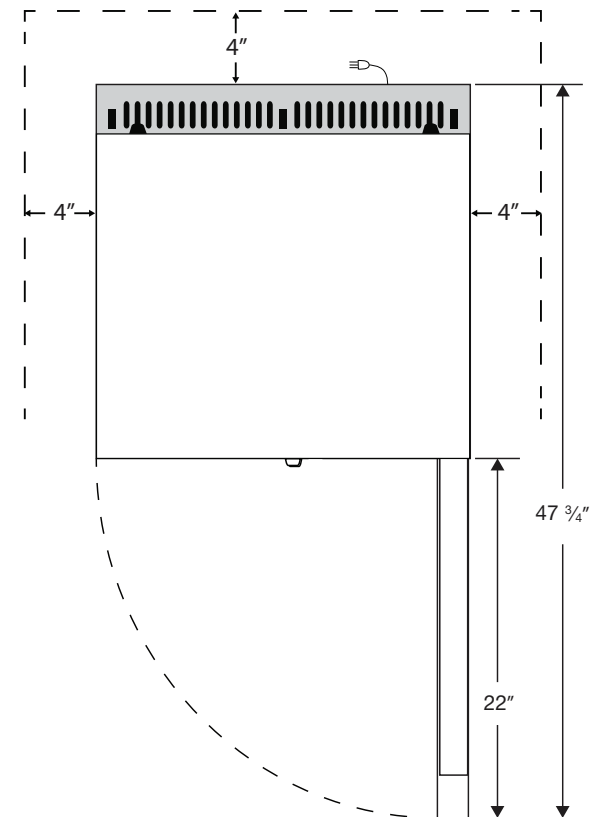
Front View



Side View



Top View



NOTE: Ventilation Requirements – Minimum 4" clearance on sides and back

Cat# 76580-178/VWR-HC-RFC12G

115VAC/60Hz/1PH
 NEMA-5-15P

Compartment	Cu.Ft.	Defrost	Door	Int Door	Shelves	W"	D"	H"	Refrigerant	H.P.	Amps	Weight
Freezer	1.7	Manual	1 Solid	0	2 Adj.	23 5/8	26 1/2	80 1/4	R600a	1/8	1	246 lbs.
Refrigerator	10.5	Cycle	1 Glass	0	6 Adj.					1/3	2.3	