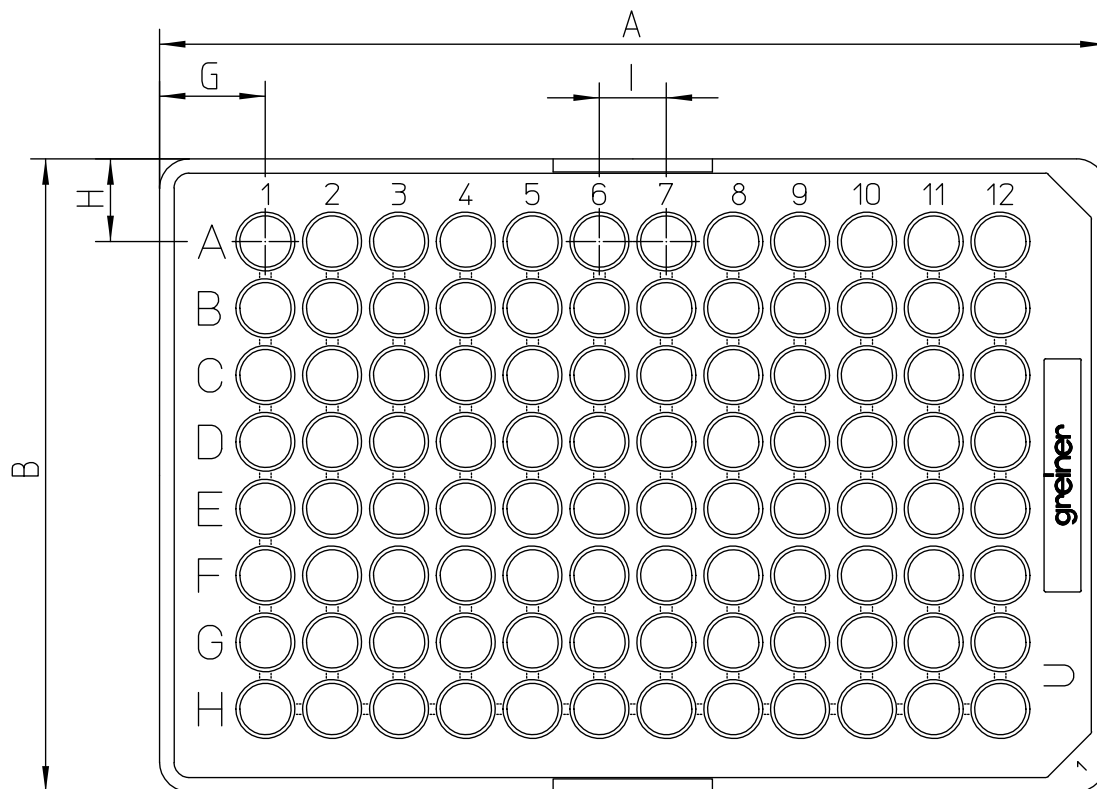
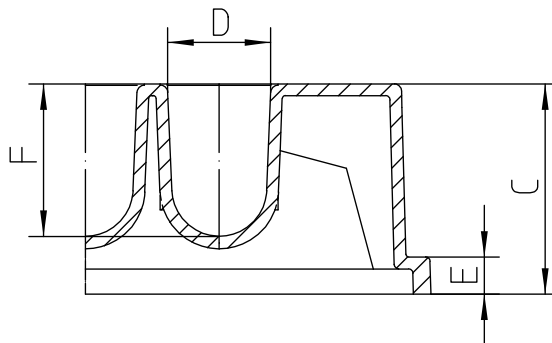




Valid for Item-No.: 650001, 650061, 650101, 650160, 650161, 650169, 650180, 650185



Aktuelle AC siehe WKZ 0808

"All dimensions in mm"

Customer drawing subject to change without notice!

Uncontrolled Copy

Prior Issue	Drawn	Approved	Released	CONFIDENTIAL: Information contained in this document or drawing is confidential and proprietary to Greiner Bio-One GmbH. This document may not be reproduced for any reason without written permission from Greiner Bio-One GmbH. All rights of design, invention, and copyright are reserved.
Revision 1	Date 1996/08/06	Date 2011/06/01	Date 2011/06/01	
Date 2005/07/26	Name opferm	Name falter	Name sonntag	